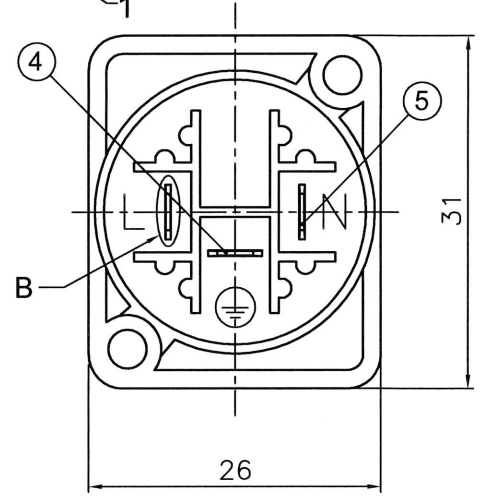
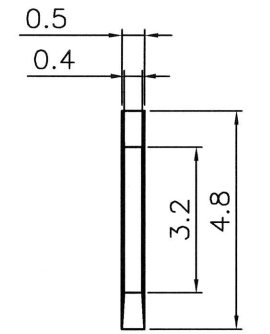
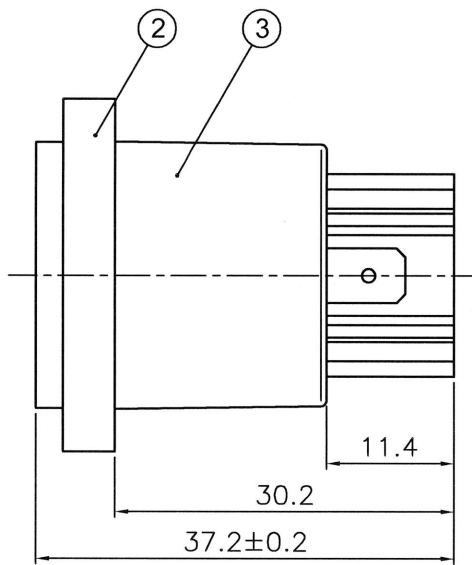
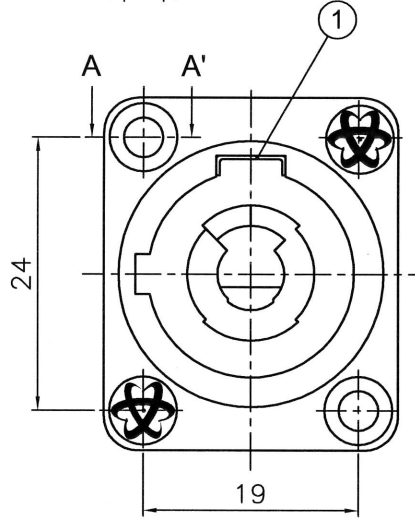
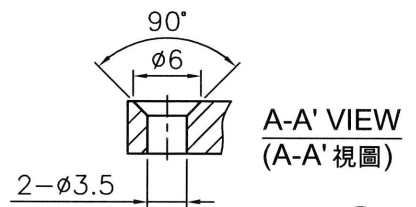
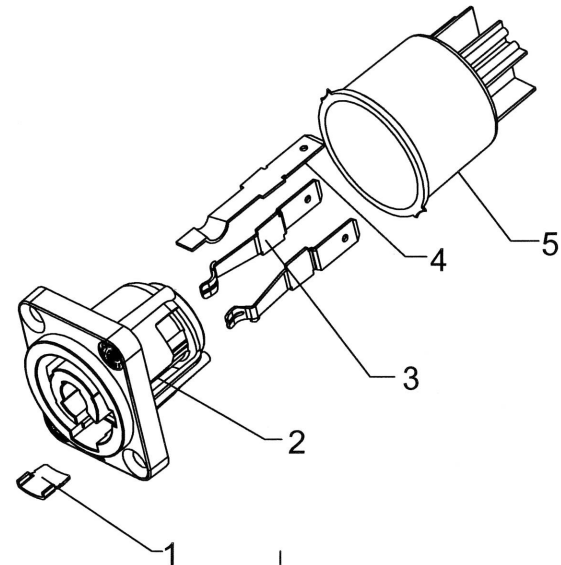


1 2 3 4 5 6 7 8

REVISIONS		
ISS	ZONE	DESCRIPTION\PER REQUEST\DATE
A2	A-7	品名SVP593-MA-BL-NL改為SVP593MA-BL-NL
V	OPEN	對客戶公開圖紙
	OPEN	對供應商公開圖紙
	CLOSED	僅限廠內使用

台灣日昇電子股份有限公司
ISSUE APPROVED
 發行核可 本文件與簽核紙本正本相符

Note(備註):
 1. No print on connector
 (接頭上無任何印字)



NO.	DESCRIPTION	MATERIAL	FINISH	Q'TY	DRAWING NO.
5	插針 (PIN-L/N)	PHOSPHOR BRONZE	鍍銀 (SILVER)	2	3102010031
4	插針 (PIN-GROUND)	PHOSPHOR BRONZE	鍍銀 (SILVER)	1	3102010030
3	後蓋 (BACK COVER)	PA	深灰色 (DARK GRAY)	1	4301080010
2	塑座 (PLASTIC BASE)	PA	藍色 (BLUE)	1	4301030021
1	固定片 (SHEET METAL)	PHOSPHOR BRONZE	鍍鎳 (NICKEL)	1	3103040005

DIMENSIONS ARE IN MILLIMETERS	
UNLESS OTHERWISE SPECIFIED TOLERANCES	
ANGLES = ±5°	
UP TO 6 = ±0.2	
6-40 = ±0.4	
40-120 = ±0.6	
120-315 = ±1	
ABOVE 315 = ±1.6	
THIRD_ANGLE	
SCALE	1.5/1

APPROVED		DATE	2017-03-03
CHECKED		DATE	
DRAWN	吳碧珊	DATE	2017-02-22
FILE NO. D:\CAD\SVP\5113190018_SVP593MA-BL-NL_CA001A2			
ERP LINK:	5113190018		

日昇電子股份有限公司 SUN RISE EXACT INDUSTRIAL CO.		TITLE	
		3PIN PANEL MOUNT MALE POWER CONNECTOR FOR INPUT	
PART NO.	SVP593MA-BL-NL	REV.	A2

F
E
D
C
B
A

F
E
D
C
B
A

1 2 3 4 5 6 7 8