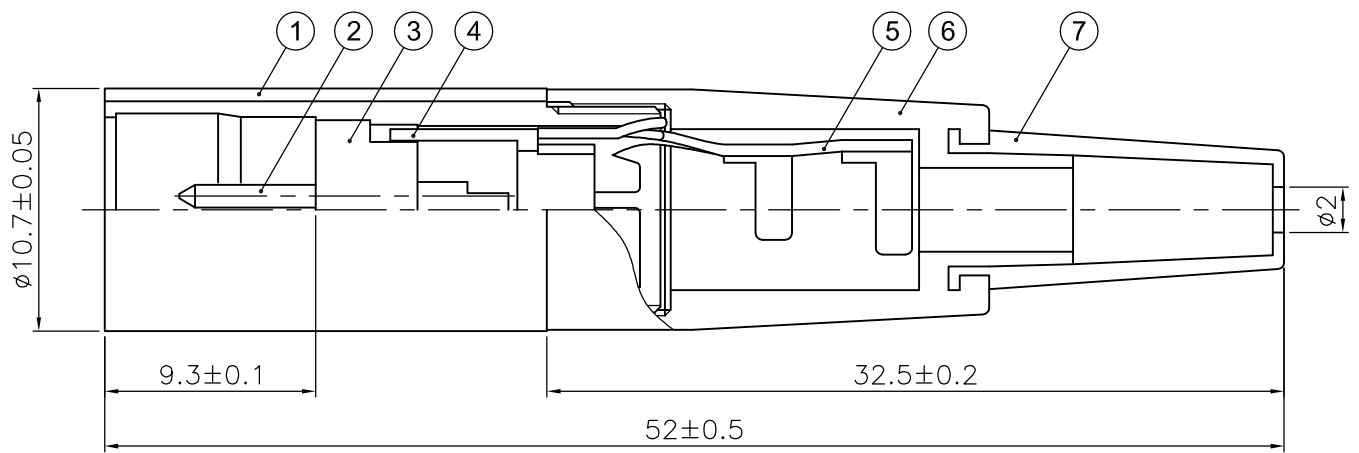
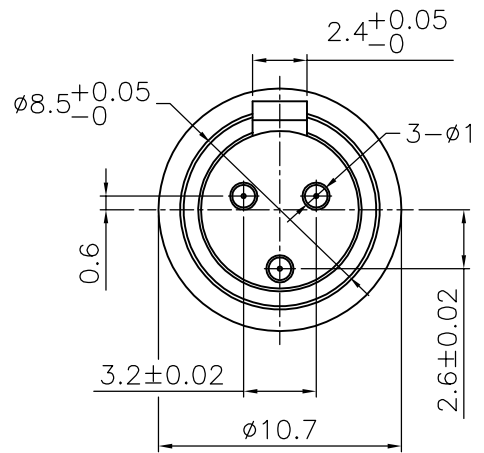
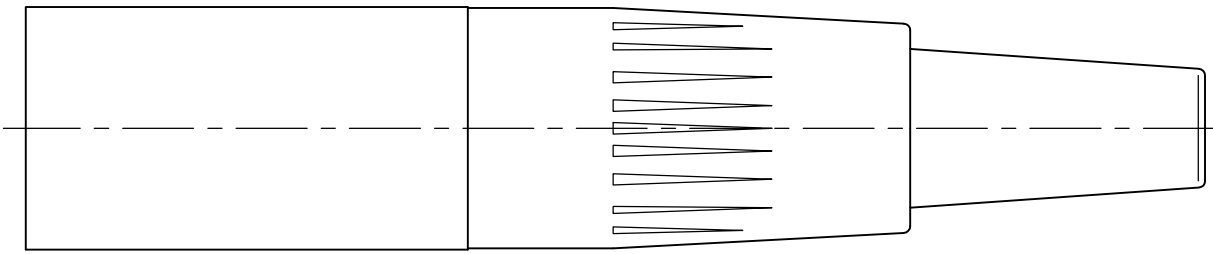


REVISIONS		
ISS	ZONE	DESCRIPTION\PER REQUEST\DATE
A6	C-3	刪除0.7; 6; Ø3.7尺寸,增加零件表NO.7
F	V	對客戶公開圖紙
	OPEN	對供應商公開圖紙
	CLOSED	僅限廠內使用

台灣日昇電子股份有限公司  
**ISSUE APPROVED**  
 發行核可 本文件與審核紙本正本相符

Technique requests(技術要求):  
 1. Sleek in appearance, burr in periphery (外表光滑, 無毛邊)  
 2. Thread screwed in smoothly (螺牙旋入順暢)  
 3. It should match the female connector (與母座配插順暢)



NO.	DESCRIPTION	MATERIAL	FINISH	Q'TY	DRAWING NO.
7	尾套(BOOT)	PVC	黑色(BLACK)	1	1601110078
6	螺套(CAP)	ABS	黑色(BLACK)	1	
5	夾線爪(CABLE CLAMP)	H62	鍍鎳(NICKEL)	1	
4	中套(MEDIUM COVER)	PA6+30%GF	黑色(BLACK)	1	
3	塑粒(INSULATOR)	PA6+30%GF	黑色(BLACK)	1	
2	插針(PIN)	H59-1	鍍金(GOLD)	3	
1	銅殼(BRASS SHELL)	H59-1	鍍鎳(NICKEL)	1	

DIMENSIONS ARE IN MILLIMETERS		APPROVED  DATE 2021-06-08
UNLESS OTHERWISE SPECIFIED TOLERANCES		CHECKED DATE
ANGLES = ±5°		DRAWN 吳碧珊 DATE 2021-06-08
UP TO 6 = ±0.2		
6-40 = ±0.4		
40-120 = ±0.6		
120-315 = ±1		FILE NO. D:\CAD\SVP555\5111080004_SVP555-TA-4_CA001A6
ABOVE 315 = ±1.6		ERP LINK: 5111080004
THIRD_ANGLE		
SCALE	3/1	

	日昇電子股份有限公司 SUN RISE EXACT INDUSTRIAL CO.	
	TITLE 3P MINIATURE XLR CONNECTOR, MALE, OD:4mm	
PART NO.	SVP555-TA	REV. A6