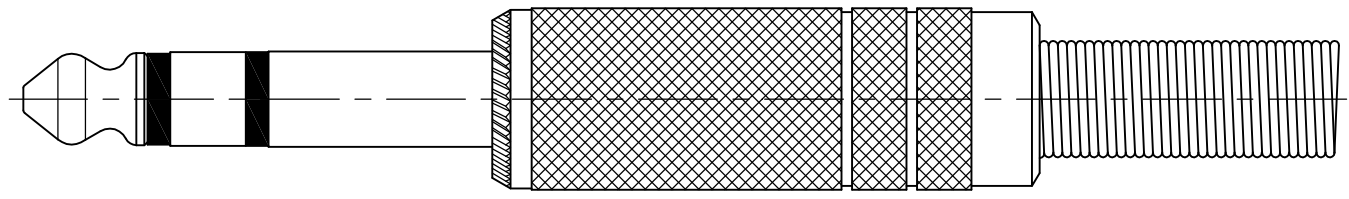
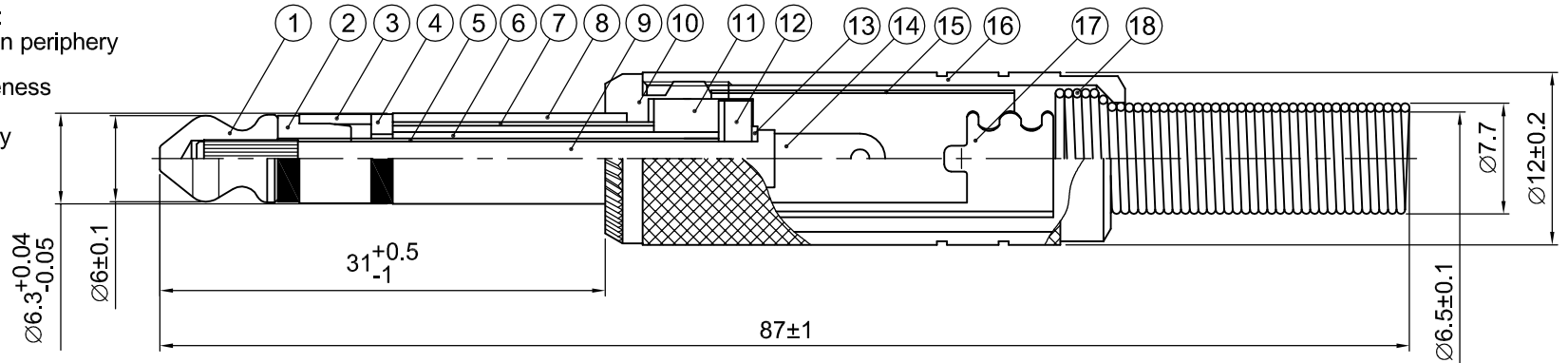


| REVISIONS |        |                              |
|-----------|--------|------------------------------|
| ISS       | ZONE   | DESCRIPTION\PER REQUEST\DATE |
| A3        | B-1    | 修改零件11和12材質,Ø12增加公差,增加表格合併品名 |
| F         | V      | 對客戶公開圖紙                      |
|           | OPEN   | 對供應商公開圖紙                     |
|           | CLOSED | 僅限廠內使用                       |

台灣日昇電子股份有限公司  
**ISSUE APPROVED**  
 發行核可  
本文件與審核  
紙本正本相符



- Technique requests(技術要求):
1. Sleek in appearance, burr in periphery (外表光滑,無毛邊)
  2. The tip is not allowed looseness (珠頭不可鬆動)
  3. Thread screwed in smoothly (螺牙旋入順暢)



| 18  | 彈簧(SPRING)                | 65Mn     | 鍍鎳(NICKEL) | 1    | 1601010005  |
|-----|---------------------------|----------|------------|------|-------------|
| 17  | S端子(S-TERMINAL)           | H62      | 鍍銀(SILVER) | 1    |             |
| 16  | 鋅殼(DIE-CAST SHELL)        | ZZnAL4-1 | 鍍鎳(NICKEL) | 1    |             |
| 15  | 塑料套Ø9.5X23 (PLASTIC TUBE) | P.P.     |            | 1    |             |
| 14  | R端子(R-TERMINAL)           | H62      | 鍍銀(SILVER) | 1    |             |
| 13  | T端子(T-TERMINAL)           | H62      | 鍍銀(SILVER) | 1    |             |
| 12  | 塑粒(INSULATOR)             | ABS      | 藍色(BLUE)   | 1    |             |
| 11  | 塑粒(INSULATOR)             | ABS      | 藍色(BLUE)   | 1    |             |
| 10  | 鋅座(DIE-CAST BASE)         | ZZnAL4-1 | 鍍鎳(NICKEL) | 1    |             |
| 9   | 鐵釘(BOLT)                  | A3       | 鍍銀(SILVER) | 1    |             |
| 8   | 銅管(SLEEVE)                | H62      | 鍍鎳(NICKEL) | 1    |             |
| 7   | 塑管(PLASTIC TUBE)          | P.P.     |            | 1    |             |
| 6   | 銅管(SLEEVE)                | H62      |            | 1    |             |
| 5   | 塑管(PLASTIC TUBE)          | P.P.     |            | 1    |             |
| 4   | 塑粒(INSULATOR)             | PA66     | 黑色(BLACK)  | 1    |             |
| 3   | 銅管(SLEEVE)                | H62      | 鍍鎳(NICKEL) | 1    |             |
| 2   | 塑粒(INSULATOR)             | PA66     | 黑色(BLACK)  | 1    |             |
| 1   | 珠頭(TIP)                   | H59-1    | 鍍鎳(NICKEL) | 1    |             |
| NO. | DESCRIPTION               | MATERIAL | FINISH     | Q'TY | DRAWING NO. |

| ERP link (品號) | Part No. (品名)  | Overall plated (整體電鍍)                                 | Terminal plated (端子電鍍) | 半成品品號      |
|---------------|----------------|---|------------------------|------------|
| 5101010062    | SP101-1-F-Z    | Nickel (鍍鎳)   | Silver (鍍銀)            | 1601020076 |
| 5101010056    | SP101-1-F-Z-PG | Head part gold plated, rest nickel plated (頭段鍍金,其餘鍍鎳) | Silver (鍍銀)            | 1601010023 |
| 5101010072    | SP101G-Z       | Gold (鍍金)   | Gold (鍍金)              | 1601010044 |

|                                       |     |  |
|---------------------------------------|-----|--|
| DIMENSIONS ARE IN MILLIMETERS         |     | APPROVED <i>吳碧珊</i> DATE 2023-05-15                  |
| UNLESS OTHERWISE SPECIFIED TOLERANCES |     | CHECKED DATE   |
| ANGLES = ±5°                          |     | DRAWN 吳碧珊 DATE 2023-05-15                            |
| UP TO 6 = ±0.2                        |     |  |
| 6-40 = ±0.4                           |     |  |
| 40-120 = ±0.6                         |     |  |
| 120-315 = ±1                          |     |  |
| ABOVE 315 = ±1.6                      |     | FILE NO. D:\CAD\SP101\5101010062_SP101-1-F-Z_CA001A2 |
| THIRD_ANGLE                           | ⊕ ⊖ | ERP LINK: 5101010062                                 |
| SCALE                                 | 2/1 |  |

|          |  |         |
|----------|--|---------|
|          | 日昇電子股份有限公司<br>SUN RISE EXACT INDUSTRIAL CO.            |         |
|          | TITLE<br>6.3mm STEREO PLUG, W/SHIELED HANDLE, OD.: 6mm |         |
| PART NO. | SP101-1-F-Z  | REV. A3 |