

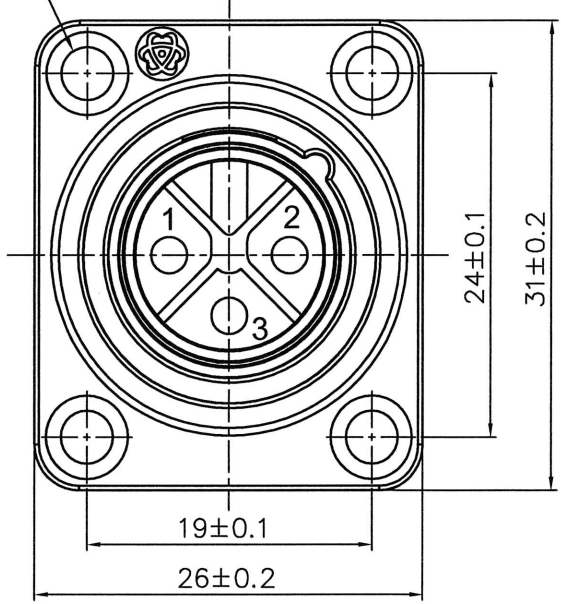
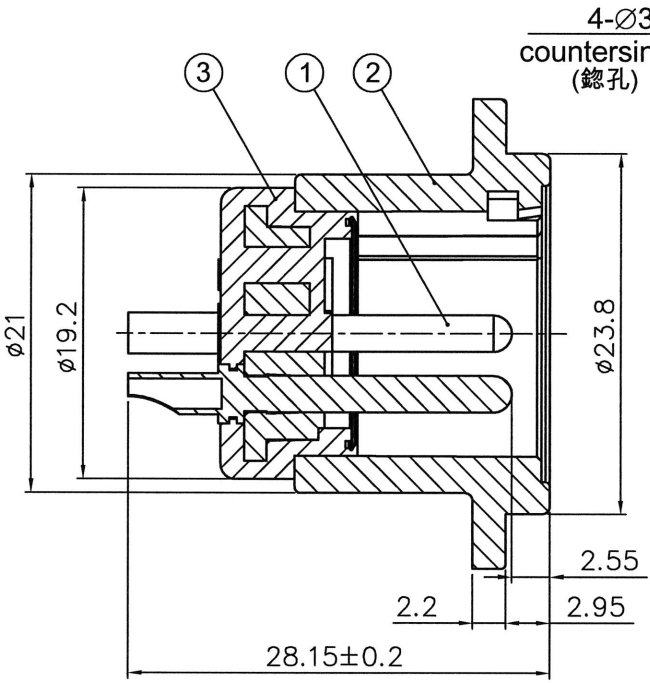
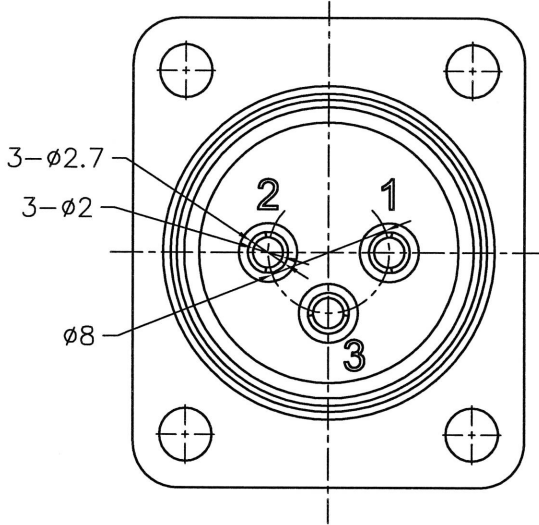
1 2 3 4 5 6 7 8

REVISIONS		
ISS	ZONE	DESCRIPTION\PER REQUEST\DATE
V	OPEN	對客戶公開圖紙
	OPEN	對供應商公開圖紙
	CLOSED	僅限廠內使用

Electrical(電氣性能):	
Contact resistance (接觸電阻)	3mΩ max.
Insulator resistance (絕緣電阻)	1000MΩ min.
Current rating (耐電流)	3P/15A
Withstand voltage (耐電壓)	1500 VAC

台灣日昇電子股份有限公司
ISSUE APPROVED
 發行核可 本文件與簽核紙本正本相符

F
E
D
C
B
A



NO.	DESCRIPTION	MATERIAL	FINISH	Q'TY	DRAWING NO.
3	包膠 (ENCAPSULATE)	TPR	橘色(ORANGE)	1	
2	本體(BODY)	PA	黑色(SILVER)	1	4301030031
1	插針(PIN)	H59-1	鍍銀(SILVER)	3	3102010049

DIMENSIONS ARE IN MILLIMETERS		APPROVED: <i>黃英哲</i> DATE: 2016.04.20
UNLESS OTHERWISE SPECIFIED TOLERANCES		CHECKED: _____ DATE: _____
ANGLES = ±5°		DRAWN: 吳碧珊 DATE: 2016-04-08
UP TO 6 = ±0.2		FILE NO. D:\CAD\ISVP555\5111060031_SVP555P-WP_CA001A1
6-40 = ±0.4		ERP LINK: 5111060031
40-120 = ±0.6		
120-315 = ±1		
ABOVE 315 = ±1.6		
THIRD_ANGLE		
SCALE	2/1	

日昇電子股份有限公司 SUN RISE EXACT INDUSTRIAL CO.	
TITLE: 3P XLR PANEL WATERPROOF CONNECTOR	
PART NO. SVP555P-WP-SR	REV. A1

F
E
D
C
B
A

1 2 3 4 5 6 7 8