

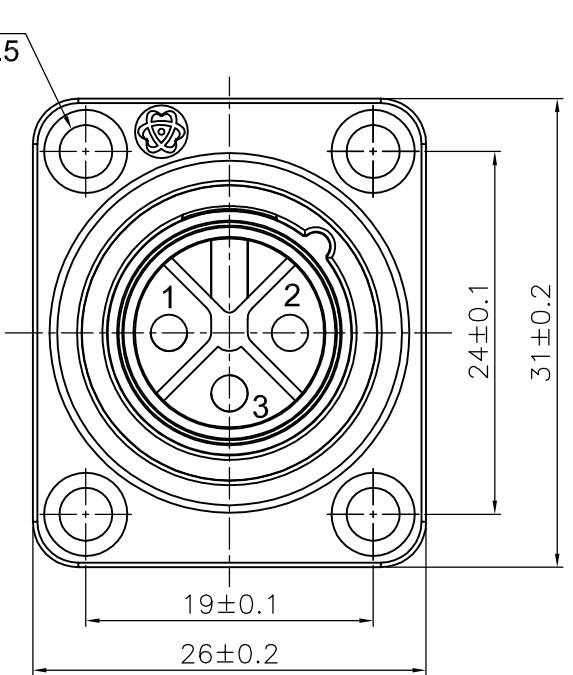
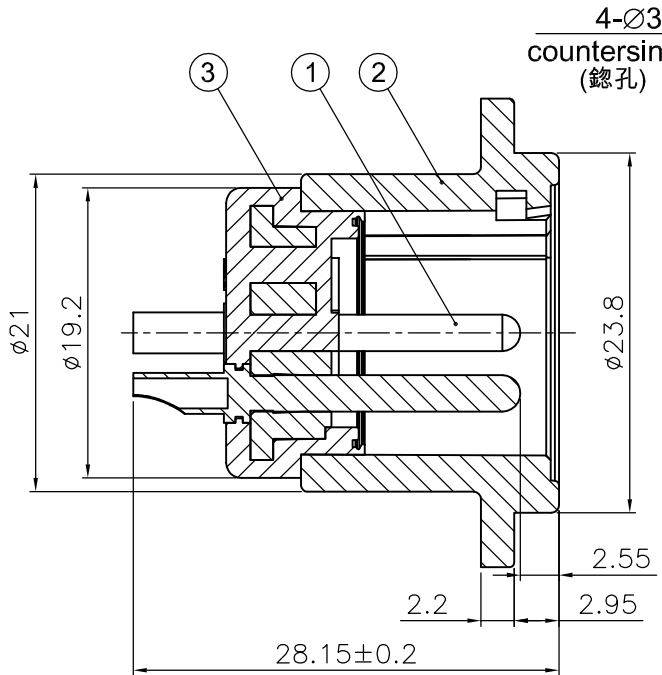
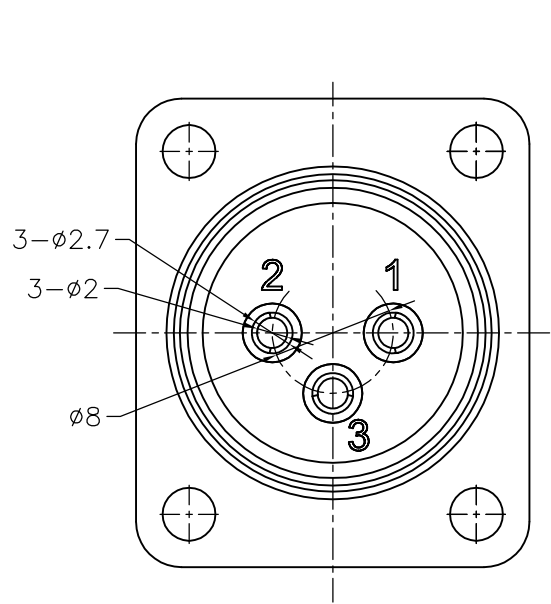
1 2 3 4 5 6 7 8

REVISIONS		
ISS	ZONE	DESCRIPTION\PER REQUEST\DATE
V	OPEN	對客戶公開圖紙
	OPEN	對供應商公開圖紙
	CLOSED	僅限廠內使用

Electrical(電氣性能):	
Contact resistance (接觸電阻)	3mΩ max.
Insulator resistance (絕緣電阻)	1000MΩ min.
Current rating (耐電流)	3P/15A
Withstand voltage (耐電壓)	1500 VAC

台灣日昇電子股份有限公司
ISSUE APPROVED
 發行核可 本文件與審核紙本正本相符

F
E
D
C
B
A



DIMENSIONS ARE IN MILLIMETERS		APPROVED	DATE
UNLESS OTHERWISE SPECIFIED TOLERANCES		CHECKED	DATE
ANGLES = ±5°		DRAWN	DATE
UP TO 6 = ±0.2		FILE NO.	
6-40 = ±0.4		ERP LINK:	
40-120 = ±0.6			
120-315 = ±1			
ABOVE 315 = ±1.6			
THIRD_ANGLE	☉		
SCALE	2/1		

日昇電子股份有限公司 SUN RISE EXACT INDUSTRIAL CO.	
TITLE 3P XLR PANEL WATERPROOF CONNECTOR GOLD PLATED PIN	
PART NO.	SVP555P-WP-PG
REV.	A1

NO.	DESCRIPTION	MATERIAL	FINISH	Q'TY	DRAWING NO.
3	包膠 (ENCAPSULATE)	TPR	橘色 (ORANGE)	1	
2	塑座 (PLASTIC BASE)	PA	黑色 (SILVER)	1	4301030031
1	插針 (PIN)	H59-1	鍍金 (GOLD)	3	3101010025

1 2 3 4 5 6 7 8