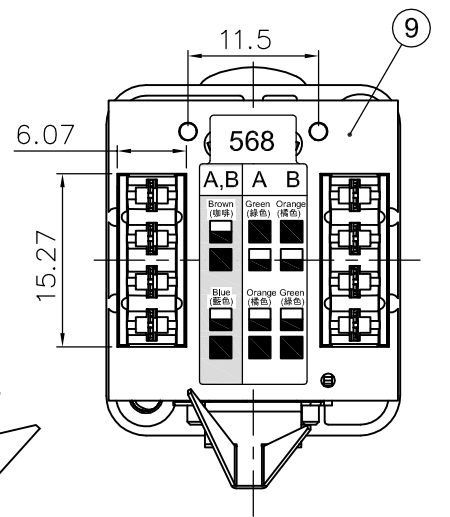
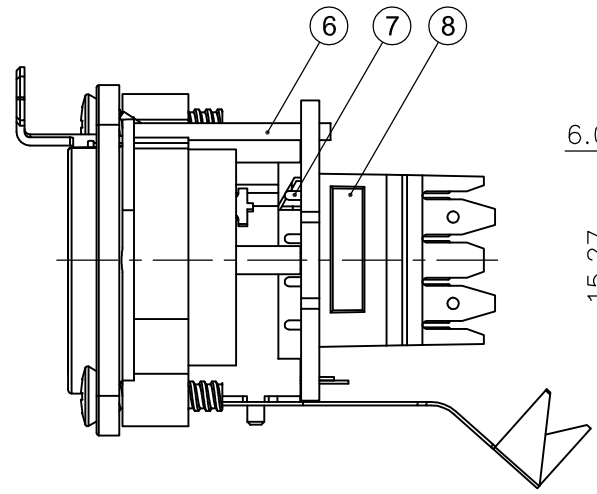
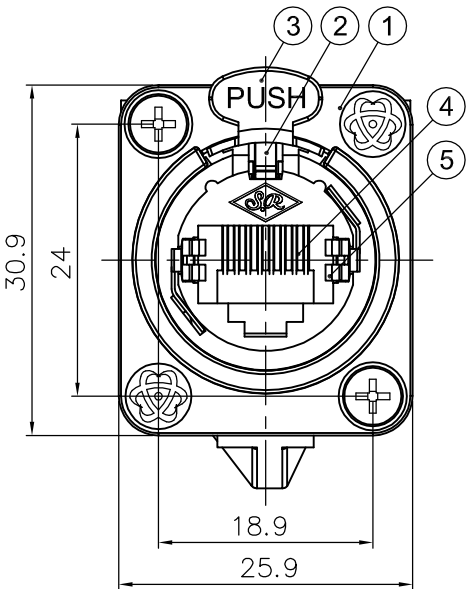
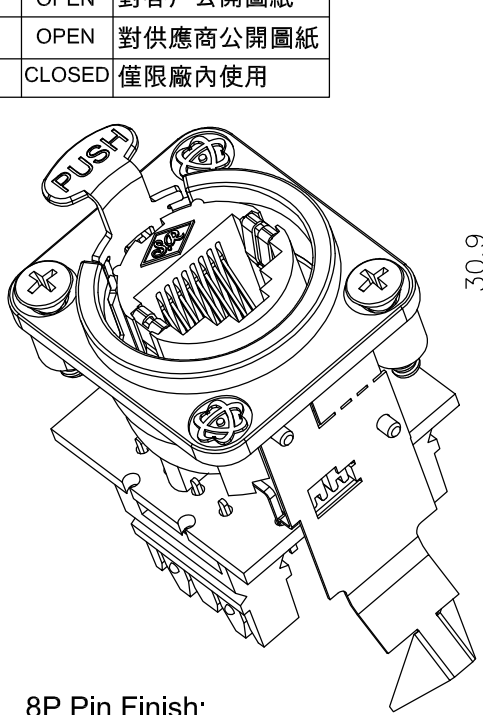


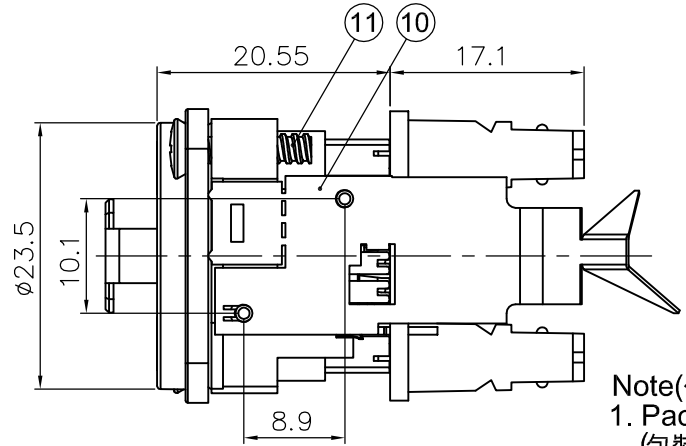
REVISIONS		
ISS	ZONE	DESCRIPTION\PER REQUEST\DATE
A3	E-3	更新SR商標,立體圖加上SR商標
V	OPEN	對客戶公開圖紙
	OPEN	對供應商公開圖紙
	CLOSED	僅限廠內使用

F
E
D
C
B
A



8P Pin Finish:
Front: Golden plated(前端鍍金)
Rear: Tin-plated(後端鍍錫)

NO.	DESCRIPTION	MATERIAL	FINISH	Q'TY	DRAWING NO.
11	螺絲(SCREW)	SUS304	鍍鎳(Nickel)	2	1620020004
10	夾線端子(CLAMP)	H62	鍍錫(Tin)	1	
9	電路板(PCB,T=1.6mm)	FR-4		1	
8	IDC塑座 (IDC PLASTIC BASE)	PC	白色(White)	1	
7	插針(PIN)	Phosphor Bronze	鍍鎳(Nickel)	8	
6	塑座(PLASTIC BASE)	PBT	黑色(Black)	1	
5	接地片(GROUND)	Phosphor Bronze	鍍亮錫 (Bright Tin)	2	
4	插針(8P PIN)	Phosphor Bronze		1	
3	按鍵 (PUSH BUTTON)	SUS304	鍍鎳(Nickel)	1	
2	鋼片(LATCH)	65Mn	發黑(Blackening)	1	
1	鋅殼(DIE-CAST SHELL)	ZZnAl4-0	鍍鎳(Nickel)	1	



台灣日昇電子股份有限公司
ISSUE APPROVED
發行核可 本文件與簽核紙本正本相符

Note(備註):
1. Package: 25psc per clamshell packing
(包裝方式: 25psc為一泡殼包裝)

DIMENSIONS ARE IN MILLIMETERS UNLESS OTHERWISE SPECIFIED TOLERANCES ANGLES = ±5° UP TO 6 = ±0.2 6-40 = ±0.4 40-120 = ±0.6 120-315 = ±1 ABOVE 315 = ±1.6	APPROVED	DATE	2019-11-19	日昇電子股份有限公司 SUN RISE EXACT INDUSTRIAL CO.	
	CHECKED	DATE			
	DRAWN	DATE	2019-11-19		
	FILE NO.	D:\CAD\SVP\5113200004_SVP594-D110_CA001A3			
THIRD_ANGLE	ERP LINK:	5113200004	TITLE	ETHERNET CAT5E RJ45 CONNECTOR IDC TERMINAL	
SCALE	1.5/1	PART NO.	SVP594-D110	REV.	A3

A

F
E
D
C
B
A