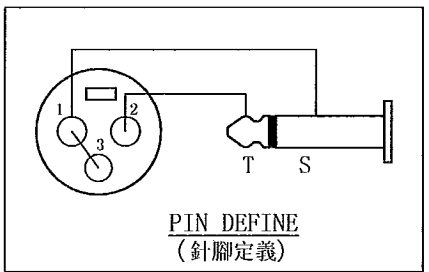
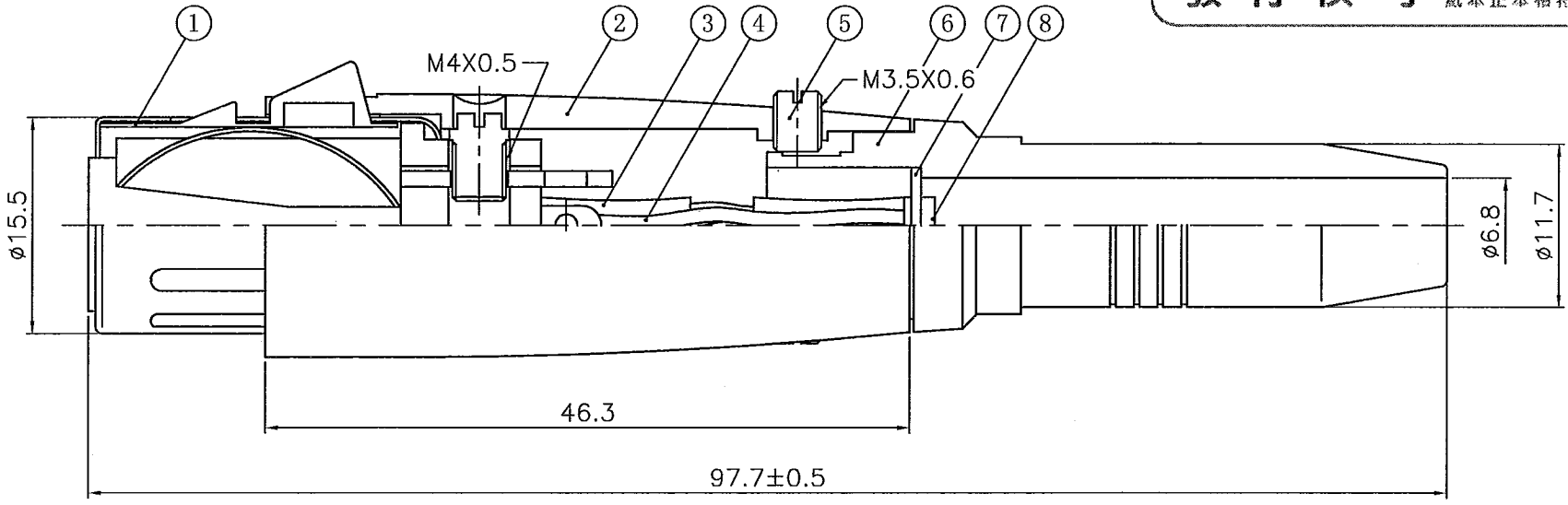


1 2 3 4 5 6 7 8

REVISIONS		
ISS	ZONE	DESCRIPTION\PER REQUEST\DATE
A2	ALL	更新圖紙
v	OPEN	對客戶公開圖紙
	OPEN	對供應商公開圖紙
	CLOSED	僅限廠內使用

台灣日昇電子股份有限公司
ISSUE APPROED
 發行核可 本文件與鐵核紙本正本相符



NO.	DESCRIPTION	MATERIAL	FINISH	Q'TY	DRAWING NO.
8	端子 (TERMINAL)	H62		2	
7	電木板 (BAKELITE)			1	
6	鋅殼 (DIE-CAST SHELL)	ZZnAL4-1	鍍鎳 (NICKEL)	1	
5	螺絲 (SCREW)	H59-1	鍍鎳 (NICKEL)	2	
4	導線 (WIRE)			3	
3	塑套 (PLASTIC TUBE)			5	
2	鋅殼 (DIE-CAST SHELL)	ZZnAL4-1	鍍鎳 (NICKEL)	1	
1	SVP56H-C 組合件		鍍鎳 (NICKEL)	1	

DIMENSIONS ARE IN MILLIMETERS
 UNLESS OTHERWISE SPECIFIED
 TOLERANCES
 ANGLES = ±5°
 UP TO 6 = ±0.2
 6-40 = ±0.4
 40-120 = ±0.6
 120-315 = ±1
 ABOVE 315 = ±1.6

THIRD_ANGLE

SCALE 2/1

APPROVED DATE 2012-06-01
 CHECKED 程美琴 DATE 2012-06-01
 DRAWN DATE 2012-06-01
 FILE NO. D:\CAD\SVP57_系列\
 5113070002_SVP573-1_CA001A2

ERP LINK: 5113070002

日昇電子股份有限公司
 SUN RISE EXACT INDUSTRIAL CO.

TITLE XLR FEMALE TO 6.3mm MONO JACK ADAPTOR

PART NO. SVP573-1 REV. A2

F
E
D
C
B
A

F
E
D
C
B
A

1 2 3 4 5 6 7 8