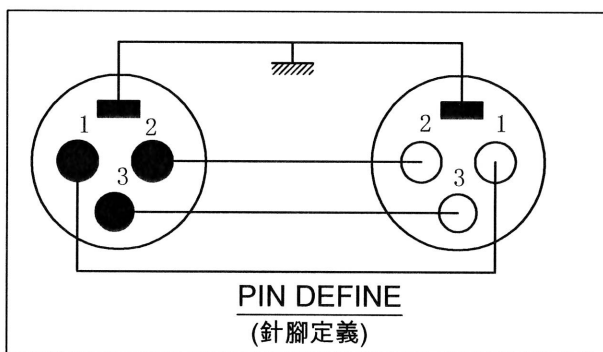
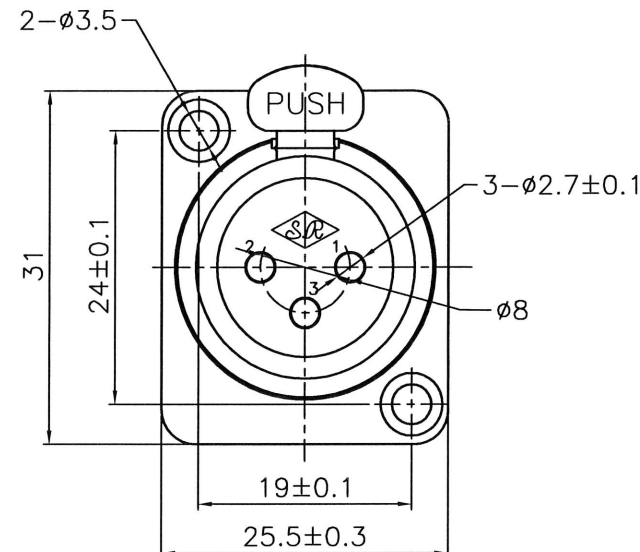
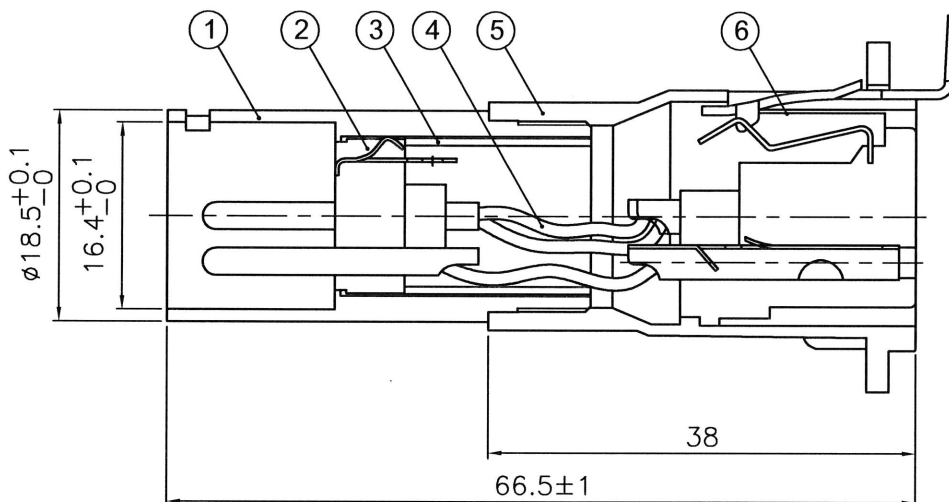
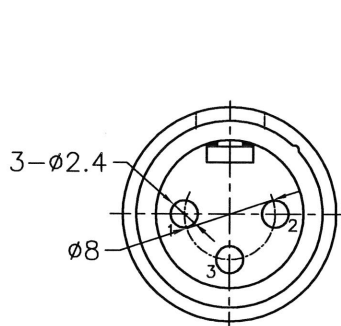


| REVISIONS | | | |
|-----------|------|------------------------------|----------|
| ISS | ZONE | DESCRIPTION\PER REQUEST\DATE | |
| A2 | ALL | 更新圖框 | |
| F | V | OPEN | 對客戶公開圖紙 |
| | | OPEN | 對供應商公開圖紙 |
| | | CLOSED | 僅限廠內使用 |

Technique request(技術要求):

1. Inserting for hanging test under 200g weight in one min, and no dropping.
(母座插孔做吊重200g,1分鐘不會掉下)



| NO. | DESCRIPTION | MATERIAL | FINISH | Q'TY | DRAWING NO. |
|-----|--------------------|----------|------------|------|-------------|
| 6 | XLR FEMALE PART | | | 1 | 1601130056 |
| 5 | 鋅殼(DIE-CAST SHELL) | ZZAI4-1 | 鍍鎳(NICKEL) | 1 | |
| 4 | 導線(WIRE) | | | 3 | |
| 3 | 塑管(PLASTIC TUBE) | PBT | | 1 | |
| 2 | SVP555B-0 | | | 1 | |
| 1 | 鋅殼(DIE-CAST SHELL) | ZZAI4-1 | 鍍鎳(NICKEL) | 1 | |

| | | | |
|---------------------------------------|-------|------------------|--------------------------|
| DIMENSIONS ARE IN MILLIMETERS | | APPROVED | DATE |
| UNLESS OTHERWISE SPECIFIED TOLERANCES | | 2017-05-23 | |
| ANGLES = ±5° | | CHECKED | DATE |
| UP TO 6 = ±0.2 | | 2017-05-17 | |
| 6-40 = ±0.4 | | DRAWN | DATE |
| 40-120 = ±0.6 | | 吳碧珊 | 2017-05-17 |
| 120-315 = ±1 | | FILE NO. | D:\CAD\SVP57_5113100001_ |
| ABOVE 315 = ±1.6 | | SVP576-2_CA001A2 | |
| THIRD_ANGLE | ☉ ☒ | ERP LINK: | 5113100001 |
| SCALE | 1.5/1 | | |

SUNRISE 日昇電子股份有限公司
SUN RISE EXACT INDUSTRIAL CO.

TITLE
PANEL XLR FEMALE TO MALE ADAPTOR

PART NO. SVP576-2

REV. A2

F
E
D
C
B
A

F
E
D
C
B
A