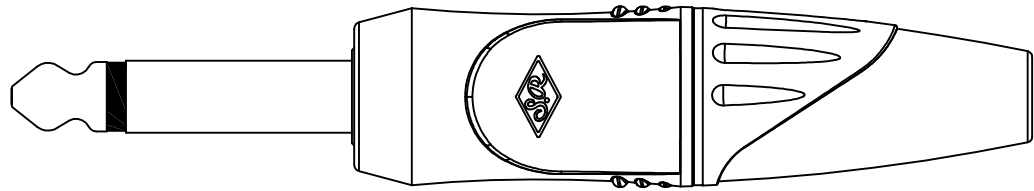
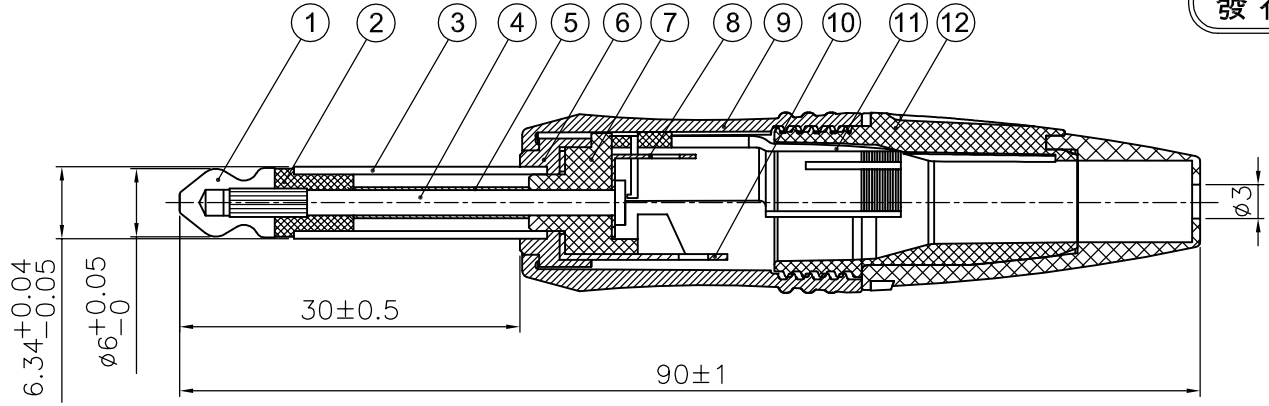




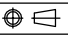
REVISIONS		
ISS	ZONE	DESCRIPTION\PER REQUEST\DATE
V	OPEN	對客戶公開圖紙
	OPEN	對供應商公開圖紙
	CLOSED	僅限廠內使用

台灣日昇電子股份有限公司
ISSUE APPROVED
 發行核可 本文件與簽核紙本正本相符



12	螺套包膠尾套(BOOT)	PA66	黑+橙(BK+OR)	1	4301060059
11	夾線爪 (CABLE CLAMP)	POM		1	4301070018
10	S端子(S-TERMINAL)	H62	鍍錫(TIN)	1	3105010015
9	鋅殼 (DIE-CAST SHELL)	ZZnAl4-1	啞光鍍 (MATT NICKEL)	1	3103040130
8	T端子(T-TERMINAL)	H62	鍍錫(TIN)	1	3105010016
7	TS絕緣墊(INSULATOR)	PA		1	4301120018
6	鋅座 (DIE-CAST BASE)	ZZnAl4-1	鍍鎳(NICKEL)	1	3103040091
5	塑料管 (PLASTIC TUBE)	PP		1	4301120029
4	鐵釘(BOLT)	Q235	鍍鋅(ZINC)	1	1409010002
3	銅管(SLEEVE)	H62	鍍鎳(NICKEL)	1	3103040031
2	TS絕緣粒(INSULATOR)	PA66		1	4301120019
1	珠頭(TIP)	H59-1	鍍鎳(NICKEL)	1	3103040020
NO.	DESCRIPTION	MATERIAL	FINISH	Q'TY	DRAWING NO.

Note(備註):
 1. With S.R logo in the mold.
 (模具上有S.R商標)

DIMENSIONS ARE IN MILLIMETERS UNLESS OTHERWISE SPECIFIED TOLERANCES ANGLES = ±5° UP TO 6 = ±0.2 6-40 = ±0.4 40-120 = ±0.6 120-315 = ±1 ABOVE 315 = ±1.6	APPROVED  DATE 2021-03-18	 日昇電子股份有限公司 SUN RISE EXACT INDUSTRIAL CO.	
	CHECKED DATE		
THIRD_ANGLE 	DRAWN 吳碧珊 DATE 2021-01-21	TITLE 6.3mm MONO PLUG, SHARK TYPE OD.: 6.5mm	
	FILE NO. D:\CAD\SP102\5102010340_ SP102X_CA001A1		
SCALE 1.5/1	ERP LINK: 5102010340	PART NO. SP102X	REV. A1