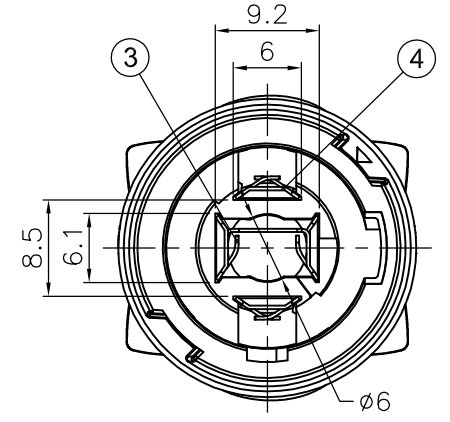
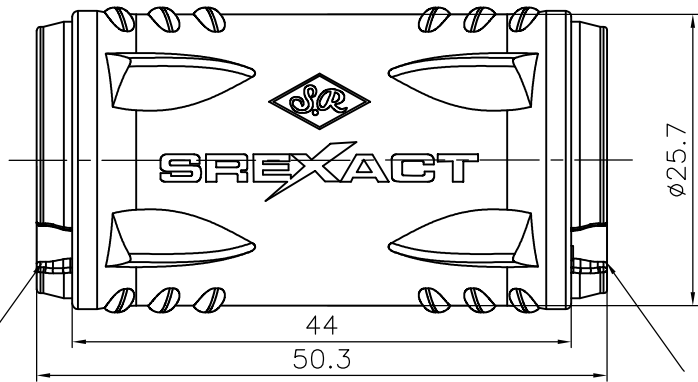
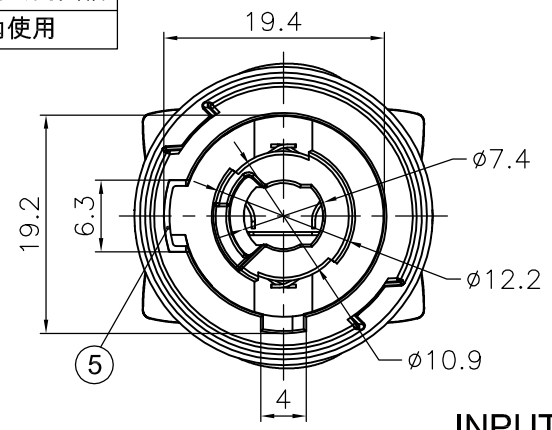


1 2 3 4 5 6 7 8

REVISIONS		
ISS	ZONE	DESCRIPTION\PER REQUEST\DATE
A2	A-7	修改TITLE描述
V	OPEN	對客戶公開圖紙
	OPEN	對供應商公開圖紙
	CLOSED	僅限廠內使用

台灣日昇電子股份有限公司
ISSUE APPROVED
 發行核可 本文件與審核紙本正本相符

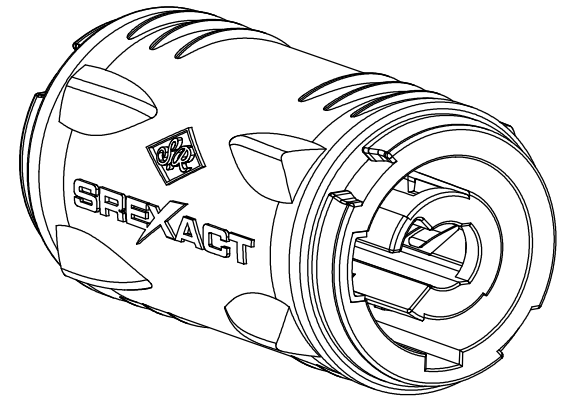
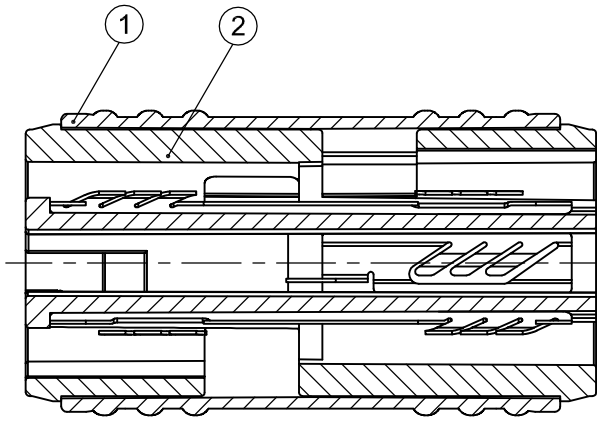


INPUT BLUE(藍色端)

INPUT BLUE(藍色端)

1	1
2	2
3	3

PIN DEFINE
(針腳定義)



NO.	DESCRIPTION	MATERIAL	FINISH	Q'TY	DRAWING NO.
5	銅固定片 (SHEET METAL)	PHOSPHOR BRONZE	鍍鎳(NICKEL)	1	3103040005
4	直插針"-" (TERMINAL"-")	PHOSPHOR BRONZE	鍍銀(SILVER)	2	3102010052
3	彎插針"+" (TERMINAL"+")	PHOSPHOR BRONZE	鍍銀(SILVER)	2	3102010051
2	塑本體 (PLASTIC BODY)	PA+94V0	藍色(BLUE)	1	4301040046
1	塑殼(PLASTIC SHELL)	PA66	黑色(BLACK)	1	4301040043

DIMENSIONS ARE IN MILLIMETERS
 UNLESS OTHERWISE SPECIFIED
 TOLERANCES
 ANGLES = ±5'
 UP TO 6 = ±0.2
 6-40 = ±0.4
 40-120 = ±0.6
 120-315 = ±1
 ABOVE 315 = ±1.6

THIRD_ANGLE $\frac{1}{2}$
 SCALE 1.5/1

APPROVED *吳碧珊* DATE 2019-11-21
 CHECKED DATE
 DRAWN *吳碧珊* DATE 2019-11-21
 FILE NO. D:\CAD\SVP其他系列2\5113190024_
 SVP593MM-BL-Q_CA001A2

ERP LINK: 5113190024

SUNRISE 日昇電子股份有限公司
 SUN RISE EXACT INDUSTRIAL CO.

TITLE 3P DUAL MALE POWER ADAPTOR WITH METAL FLANGE

PART NO. SVP593MM-BL-Q REV. A2

1 2 3 4 5 6 7 8