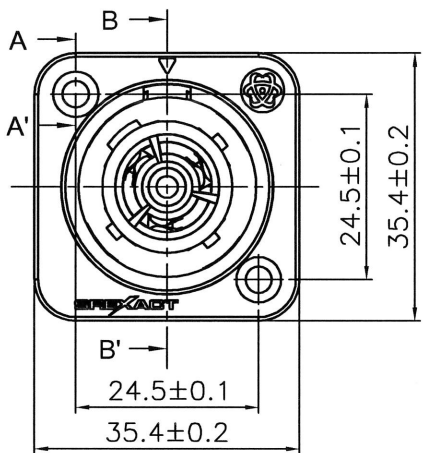


REVISIONS		
ISS	ZONE	DESCRIPTION\PER REQUEST\DATE
A4	F-5	增加印字立體標示圖
V	OPEN	對客戶公開圖紙
	OPEN	對供應商公開圖紙
	CLOSED	僅限廠內使用

台灣日昇電子股份有限公司
ISSUE APPROVED
 發行核可
本文文件與審核紙本正本相符

B-B' SECTION
(B-B'剖面)



A-A' SECTION
(A-A'剖面)

Recommended Mounting Hole
(建議架設孔)

LOGO: **SVP598F-P**
 16 ~ 250

Text fonts(字型): Arial
 Text: INK / White (油墨印字/白色)
 印字方向須與圖紙相同 (印字圖示)
 (需使用防汽油油墨)

NO.	DESCRIPTION	MATERIAL	FINISH	Q'TY	DRAWING NO.
7	後蓋(BACK COVER)	PA (94V0)	橙色(ORANGE)	1	4301080024
6	插針(PIN-N)	PHOSPHOR BRONZE	鍍銀(SILVER)	1	3102010062
5	插針(PIN-L)	PHOSPHOR BRONZE	鍍銀(SILVER)	1	3102010061
4	插針(PIN-GROUND)	PHOSPHOR BRONZE	鍍銀(SILVER)	1	3102010060
3	O型圈(O-WASHER) 內徑∅16*2.65mm	SILICA GEL	紅色(RED)	1	1208010082
2	塑座(PLASTIC BASE)	PA (94V0)	黑色(BLACK)	1	4301030037
1	固定片(SHEET METAL)	PHOSPHOR BRONZE	鍍鎳(NICKEL)	1	3103040005

DIMENSIONS ARE IN MILLIMETERS		APPROVED	DATE
UNLESS OTHERWISE SPECIFIED TOLERANCES		黃英哲	2018-01-16
ANGLES = ±5°		CHECKED	DATE
UP TO 6 = ±0.2		吳碧珊	2018-01-15
6-40 = ±0.4		FILE NO.	D:\CAD\SVP其他系列2\5113230004_SVP598F-P_CA001A4
40-120 = ±0.6		ERP LINK:	5113230004
120-315 = ±1			
ABOVE 315 = ±1.6			
THIRD_ANGLE	☉ ☒		
SCALE	1/1		

日昇電子股份有限公司 SUN RISE EXACT INDUSTRIAL CO.		TITLE	
		3PIN 16A PANEL MOUNT FEMALE POWER FOR OUTPUT	
PART NO.	SVP598F-P	REV.	A4