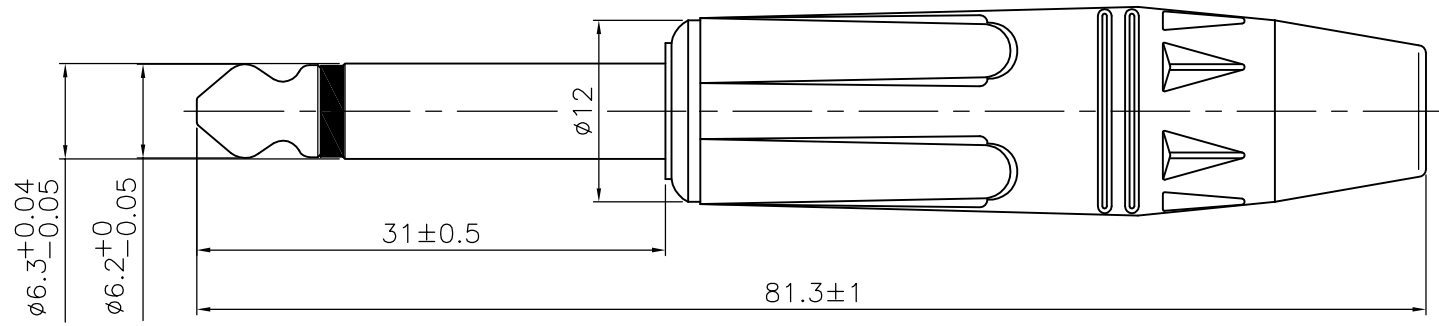
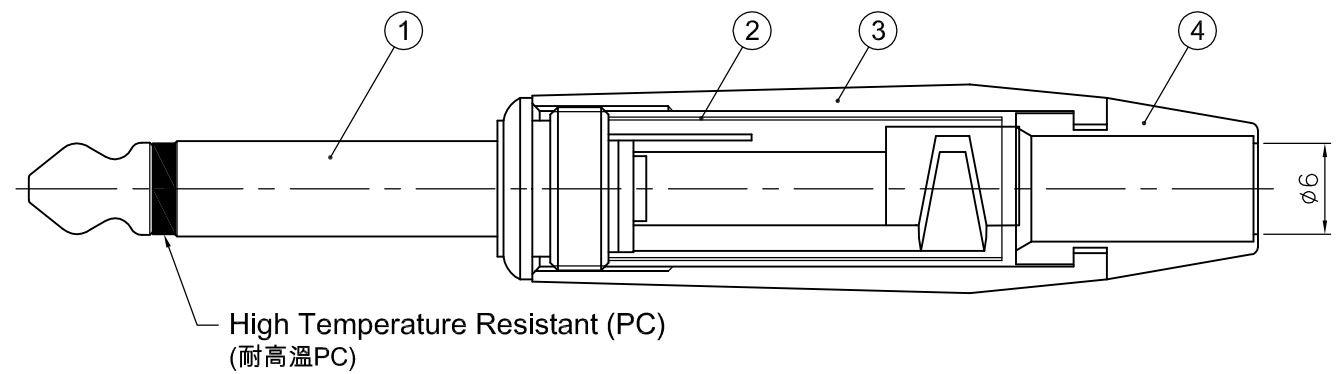


1 2 3 4 5 6 7 8

REVISIONS		
ISS	ZONE	DESCRIPTION\PER REQUEST\DATE
V	OPEN	對客戶公開圖紙
	OPEN	對供應商公開圖紙
	CLOSED	僅限廠內使用

台灣日昇電子股份有限公司
ISSUE APPROVED
 發行核可
本文件與簽核紙正本相符



Note(備註):
 1. Suitable for OD: 5~7.5, exclude cover tail could be OD:8.0
 (適用OD.: 5~7.5, 不含尾套可用到OD.: 8.0)

NO.	DESCRIPTION	MATERIAL	FINISH	Q'TY	DRAWING NO.
4	尾套(BOOT)	PVC	黑色(BLACK)	1	1601020130
3	外殼(SHELL)	ZINC ALLOY	鍍鎳(NICKEL)	1	
2	塑管(PLASTIC TUBE)	P.P.		1	
1	6.3mm頭段 (6.3mm BODY PART)	H62	鍍鎳(NICKEL)	1	

DIMENSIONS ARE IN MILLIMETERS		APPROVED DATE 2020-09-25
UNLESS OTHERWISE SPECIFIED TOLERANCES		CHECKED DATE
ANGLES = $\pm 5^\circ$		DRAWN 吳碧珊 DATE 2020-09-21
UP TO 6 = ± 0.2		FILE NO. D:\CAD\SP102\5102010332_
6-40 = ± 0.4		SP102-CPA_CA001A1
40-120 = ± 0.6		ERP LINK: 5102010332
120-315 = ± 1		
ABOVE 315 = ± 1.6		
THIRD_ANGLE		
SCALE	2/1	

日昇電子股份有限公司 SUN RISE EXACT INDUSTRIAL CO.		TITLE	
		6.3mm MONO PHONE PLUG CABLE OD.: 5~8mm, ALL NICKEL PLATED	
PART NO. SP102-CPA		REV. A1	

1 2 3 4 5 6 7 8