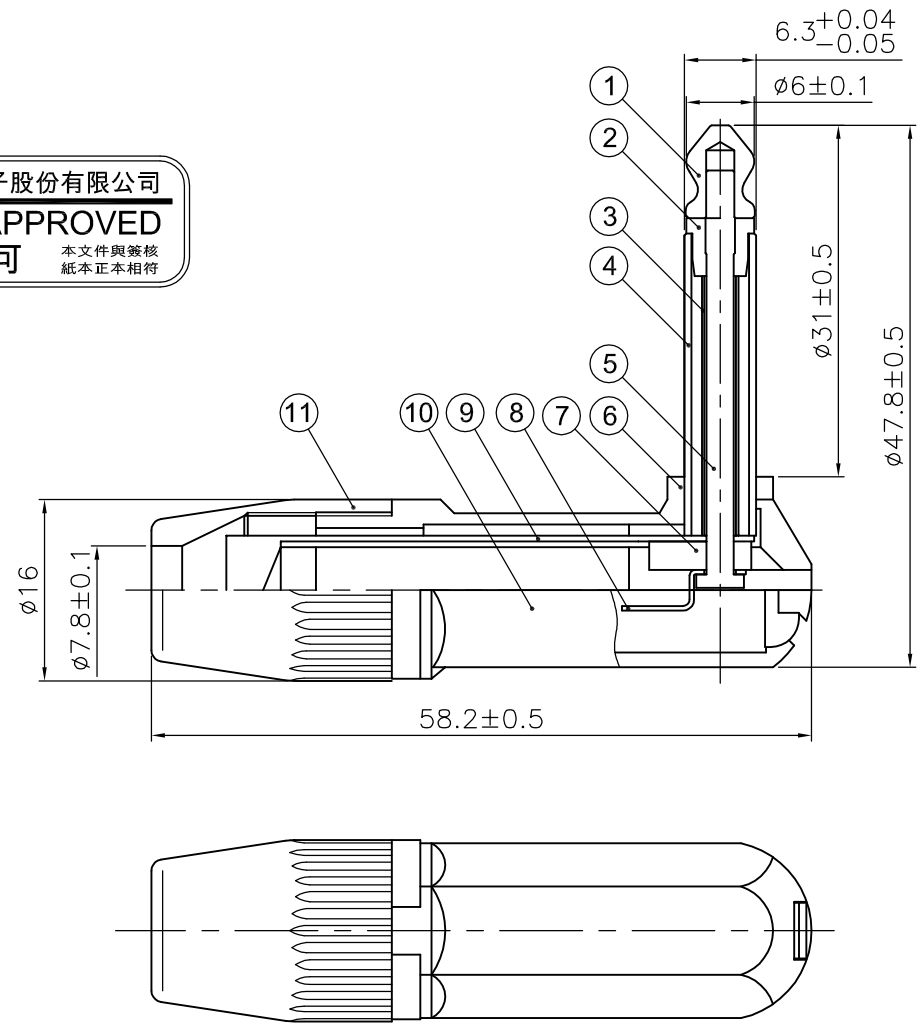


REVISIONS		
ISS	ZONE	DESCRIPTION\PER REQUEST\DATE
A3	ALL	更新圖框, 更新所有尺寸
V	OPEN	對客戶公開圖紙
	OPEN	對供應商公開圖紙
	CLOSED	僅限廠內使用


台灣日昇電子股份有限公司  
**ISSUE APPROVED**  
 發行核可 本文件與審核紙本正本相符

- Notes(備註):
- Sleek in appearance, burr in periphery (外表光滑, 無毛邊)
  - The tip is not allowed looseness (珠頭不可鬆動)
  - Thread screwed in smoothly (螺牙旋入順暢)



11	螺套(CAP)	ABS	黑色(BLACK)	1	1601020092
10	塑殼(PLASTIC SHELL)	ABS	黑色(BLACK)	1	
9	S端子(S-TERMINAL)	H62	鍍錫(TIN)	1	
8	T端子(T-TERMINAL)	H62	鍍錫(TIN)	1	
7	電木(BAKELITE)	BAKELITE		1	
6	鋅殼(DIE-CAST SHELL)	ZZAI4-0	鍍鎳(NICKEL)	1	
5	鐵釘(BOLT)	Q235	鍍鋅(ZINC)	1	
4	銅管(SLEEVE)	H59-1	鍍鎳(NICKEL)	1	
3	塑管(PLASTIC TUBE)	P.P.		1	
2	塑粒(INSULATOR)	PA	黑色(BLACK)	1	
1	珠頭(TIP)	H59-1	鍍鎳(NICKEL)	1	
NO.	DESCRIPTION	MATERIAL	FINISH	Q'TY	DRAWING NO.

DIMENSIONS ARE IN MILLIMETERS		APPROVED <i>黃英哲</i> DATE 2019-10-07
UNLESS OTHERWISE SPECIFIED TOLERANCES		CHECKED <i>吳碧珊</i> DATE
ANGLES = ±5°		DRAWN 吳碧珊 DATE 2019-10-07
UP TO 6 = ±0.2		FILE NO. D:\CAD\SP102\5102010156_
6-40 = ±0.4		SP102R-N_CA001A1
40-120 = ±0.6		ERP LINK: 5102010156
120-315 = ±1		
ABOVE 315 = ±1.6		
THIRD_ANGLE	⊕ ⊖	
SCALE	1.5/1	

 <b>日昇電子股份有限公司</b> SUN RISE EXACT INDUSTRIAL CO.	
TITLE 6.3mm MONO PLUG, RIGHT ANGLE OD.: Ø8.0mm	
PART NO. SP102R-N	REV. A3