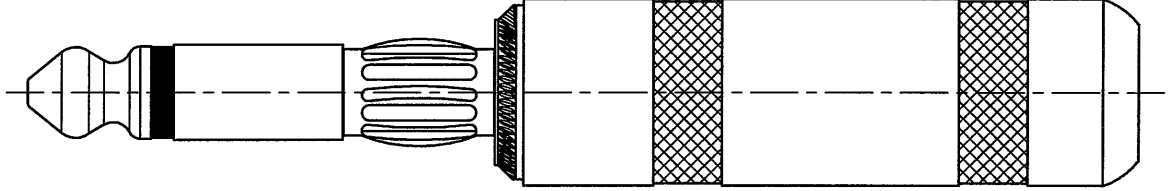


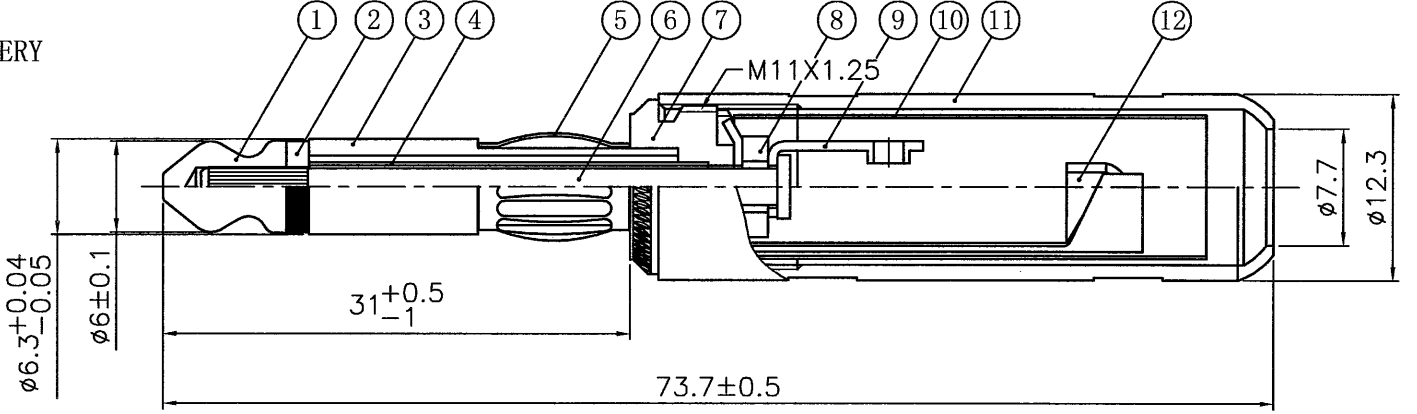
REVISIONS		
ISS	ZONE	DESCRIPTION\PER REQUEST\DATE
A2	ALL	更新圖框
V	OPEN	對客戶公開圖紙
	OPEN	對供應商公開圖紙
	CLOSED	僅限廠內使用



ELECTRICAL(電氣性能):	
CONTACT RESISTANCE(接觸電阻)	100 mohms max.
INSULATOR RESISTANCE(絕緣電阻)	100 Mohms min.
CURRENT CARRY @ WORKING	15A
VOLTAGE FOR 188 PLUG(耐電流)	
VOLTAGE PROOF(耐電壓)	250 VAC



- TECHNIQUE REQUESTS(技術要求):
- 1 SLEEK IN APPEARANCE, BURR IN PERIPHERY (外表光滑, 無毛邊)
 - 2 IT CAN MATCH THE FEMALE CONNECTOR (與母座配插順暢)
 - 3 THREAD SCREWED IN SMOOTHLY (螺牙旋入順暢)



NO.	DESCRIPTION	MATERIAL	FINISH	Q'TY	DRAWING NO.
12	S端子(S-TERMINAL)	H62	鍍銀(SILVER)	1	
11	銅殼(BRASS SHELL)	H59-1	鍍鎳(NICKEL)	1	
10	塑料套 (PLASTIC TUBE)	P. P.		1	φ9.5X31.3
9	T端子(T-TERMINAL)	H62	鍍銀(SILVER)	1	
8	電木(BAKELITE)	BAKELITE	白色(WHITE)	1	
7	銅座(BRASS BASE)	H59-1	鍍鎳(NICKEL)	1	
6	鐵釘(BOLT)	A3	鍍鎳(NICKEL)	1	
5	彈片(SPRING)	QBe2	鍍金(GOLD)	1	
4	塑管(PLASTIC TUBE)	P. P.		1	
3	銅管(SLEEVE)	H62	鍍鎳(NICKEL)	1	
2	電木(BAKELITE)	BAKELITE	白色(WHITE)	1	
1	珠頭(TIP)	H59-1	鍍金(GOLD)	1	

DIMENSIONS ARE IN MILLIMETERS
UNLESS OTHERWISE SPECIFIED
TOLERANCES
ANGLES = ±5°
UP TO 6 = ±0.2
6-40 = ±0.4
40-120 = ±0.6
120-315 = ±1
ABOVE 315 = ±1.6

APPROVED	黃東哲	DATE	2012-02-20
CHECKED	吳志強	DATE	2012-02-20
DRAWN	吳志強	DATE	2012-02-20
FILE NO.	D:\CAD\SP102\ 5102010089_SP102M-TG_CA001A2		
ERP LINK:	5102010089		

	日昇電子股份有限公司 SUN RISE EXACT INDUSTRIAL CO.		
	TITLE 6.3mm MONO PLUG, SPRING-GROUND, TIP & SPRING WITH GOLD PLATED, OD:7.5mm		
PART NO.	SP102M-TG	REV.	A2