

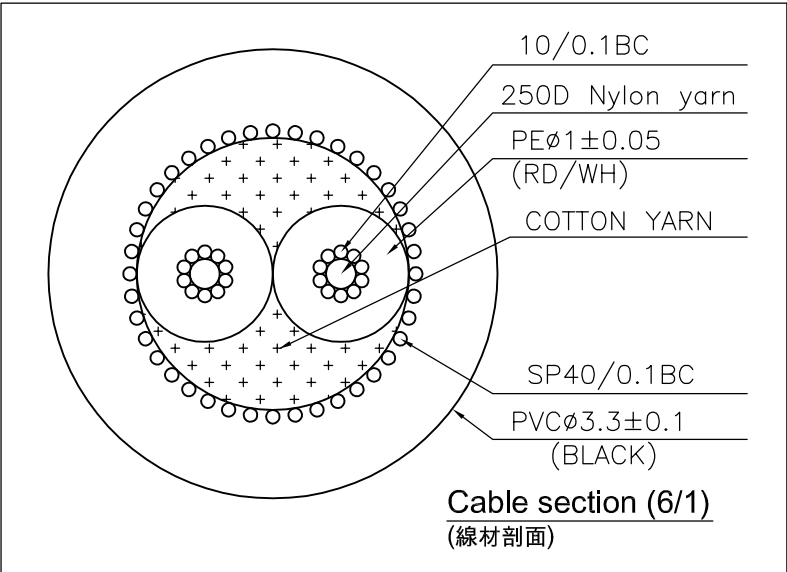
1 2 3 4 5 6 7 8

REVISIONS		
ISS	ZONE	DESCRIPTION\PER REQUEST\DATE
V	OPEN	對客戶公開圖紙
	OPEN	對供應商公開圖紙
	CLOSED	僅限廠內使用

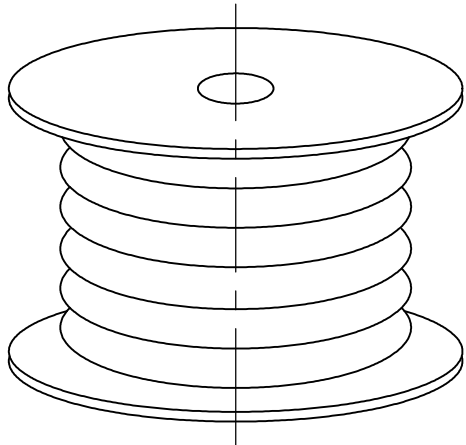
台灣日昇電子股份有限公司
ISSUE APPROVED
 發行核可 本文件與審核紙本正本相符

SREXACT PROFESSIONAL LOW NOISE MICROPHONE CABLE

CABLE NO.: 3070100001-012-200M



PAPER SPOOL (紙軸)



200M / SPOOL

MATERIAL	APPROVED <i>蘇其哲</i> DATE 2019-12-10		日昇電子股份有限公司 SUN RISE EXACT INDUSTRIAL CO.			
	CHECKED DATE		3rd ANGLE PROJECTION	SCALE 3/1	TOLERANCE ±0.1	
FINISH	DRAWN 吳碧珊 DATE 2019-11-29		UNITS mm	ANGLES	±5°	
	FILE NO. D:\CAD\線材系列\5501020033_3.3mm two conductors cable_CA001A1		PART NO. (雙芯線) 3.3mm two conductors cable			
	ERP LINK: 5501020033		REV. A1			

1 2 3 4 5 6 7 8

F
E
D
C
B
A

F
E
D
C
B
A