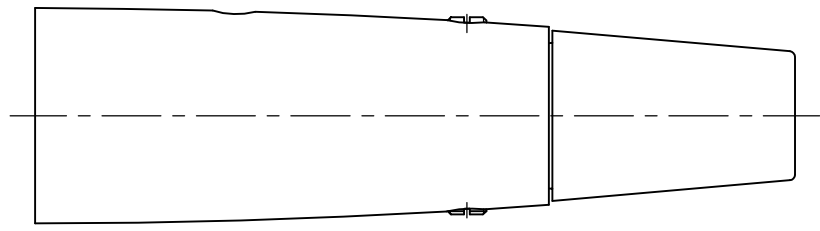
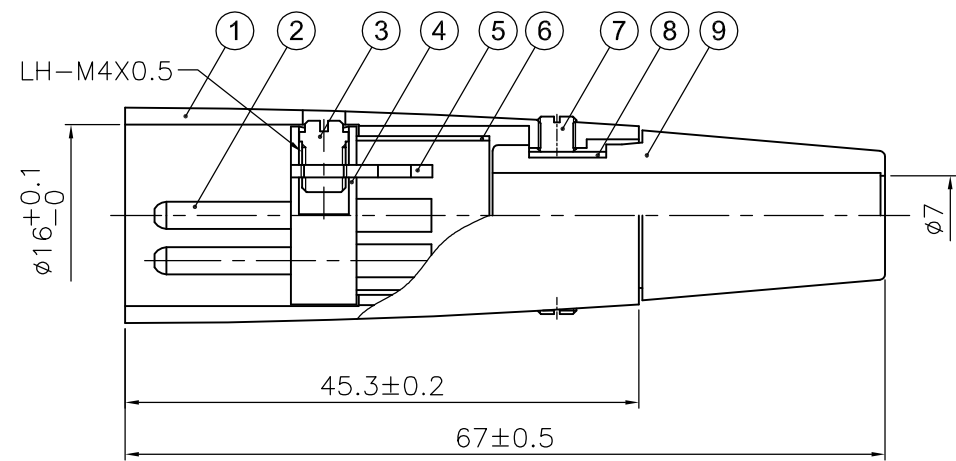
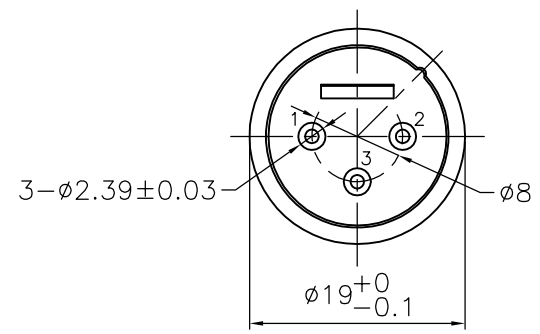


REVISIONS		
ISS	ZONE	DESCRIPTION\PER REQUEST\DATE
A2	B-5	新增品名SVP555H-BK-NL及表格
V	OPEN	對客戶公開圖紙
	OPEN	對供應商公開圖紙
	CLOSED	僅限廠內使用

台灣日昇電子股份有限公司
ISSUE APPROVED
 發行核可
本文件與簽核紙本正本相符



Note(備註):
 1. Without any logo on insulator
 (塑粒上不要有任何標誌)
 (只有一副無商標模具)



List:

ERP link(品號)	Part No.(品名)	Shell finish(外殼電鍍)	半成品品號
5111040009	SVP555H-NL	Nickel(鍍鎳)	1601110163
5111040010	SVP555H-BK-NL	Electro-coating black(電泳黑)	1601110284

NO.	DESCRIPTION	MATERIAL	FINISH	Q'TY	DRAWING NO.
9	尾套(BOOT)	PVC	黑色(BLACK)	1	List
8	壓線片(LOCK SLICE)	A3	鍍鎳(NICKEL)	2	
7	螺絲(SCREW)	H59-1	鍍鎳(NICKEL)	2	
6	塑管(PLASTIC TUBE)	PP		1	
5	端子(TERMINAL)	H62	鍍銀(SILVER)	1	
4	塑粒(INSULATOR)	PBT	黑色(BLACK)	1	
3	螺絲(SCREW)	H59-1	鍍鎳(NICKEL)	1	
2	插針(PIN)	H59-1	鍍銀(SILVER)	3	
1	鋅殼(DIE-CAST SHELL)	ZZnAL4-1	List	1	

DIMENSIONS ARE IN MILLIMETERS		APPROVED DATE 2021-10-20
UNLESS OTHERWISE SPECIFIED TOLERANCES		CHECKED DATE
ANGLES = ±5°		DRAWN 吳碧珊 DATE 2021-10-20
UP TO 6 = ±0.2		FILE NO. D:\CAD\SVP555\5111040009_
6-40 = ±0.4		SVP555H-NL_CA001A2
40-120 = ±0.6		ERP LINK: 5111040009
120-315 = ±1		
ABOVE 315 = ±1.6		
THIRD_ANGLE		
SCALE	1.5/1	

日昇電子股份有限公司
SUN RISE EXACT INDUSTRIAL CO.

TITLE
**3P MIC CONNECTOR, MALE LEFT-HAND THREAD
 DURABLE FOR OUTSIDE USAGE**

PART NO.	SVP555H-NL	REV.	A2
----------	------------	------	----