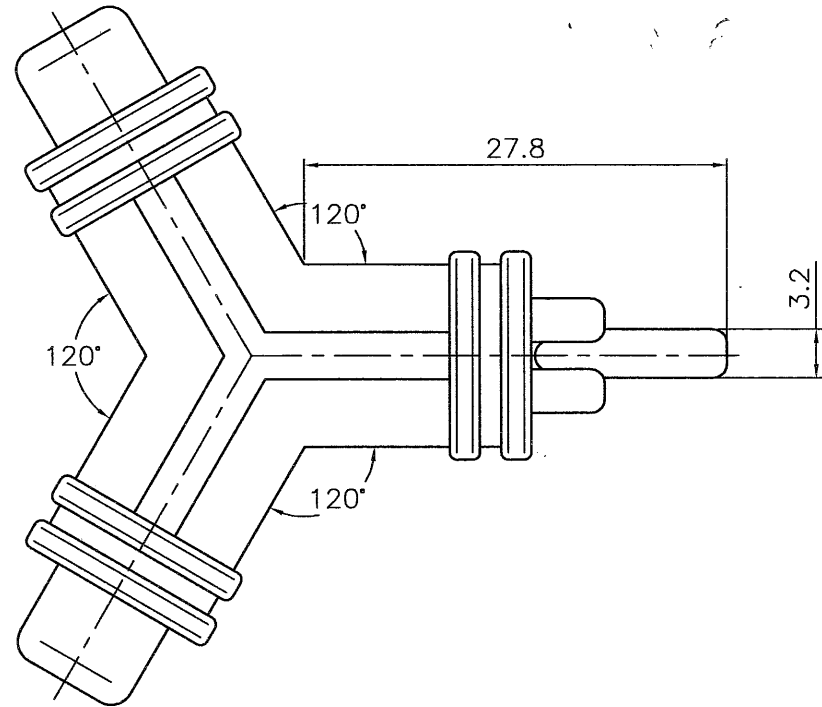



REVISIONS		
ISS	ZONE	DESCRIPTION\PER REQUEST\DATE
V	OPEN	對客戶公開圖紙
	OPEN	對供應商公開圖紙
	CLOSED	僅限廠內使用

台灣日昇電子股份有限公司
ISSUE APPROVED
 發行核可 本文件與審核
 紙本正本相符



8	插針 (PIN)	H59-1	鍍鎳 (NICKEL)	1	
7	膠木 (BAKELITE)	BAKELITE		1	
6	鐵片 (IRON SHEET)	A3	鍍鎳 (NICKEL)	1	
5	絕緣片 (INSULATOR SHEET)	ABS		1	
4	塑殼 (PLASTIC SHELL)	ABS		1	
3	銅管 (SLEEVE)	H59-1	鍍鎳 (NICKEL)	1	
2	絕緣 (INSULATOR)	ABS		2	
1	銅殼 (BRASS SHELL)	H59-1	鍍鎳 (NICKEL)	2	
NO.	DESCRIPTION	MATERIAL	FINISH	Q'TY	DRAWING NO.

DIMENSIONS ARE IN MILLIMETERS		APPROVED	DATE
UNLESS OTHERWISE SPECIFIED		黃英怡	2011-11-17
TOLERANCES		CHECKED	DATE
ANGLES = ±5°			2011-11-17
UP TO 6 = ±0.2		吳若蘭	DATE
6-40 = ±0.4			2011-11-17
40-120 = ±0.6		FILE NO. D:\CAD\SA\	
120-315 = ±1		1010900113_SA181Y_CA001A1	
ABOVE 315 = ±1.6		ERP LINK:	1010900113
THIRD_ANGLE	☉ ☒		
SCALE	2/1		

	日昇電子股份有限公司 SUN RISE EXACT INDUSTRIAL CO.
TITLE ADAPTOR, RCA PLUG TO 2xRCA JACK	
PART NO.	SA181Y
REV.	A1