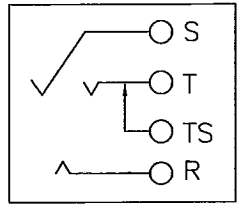
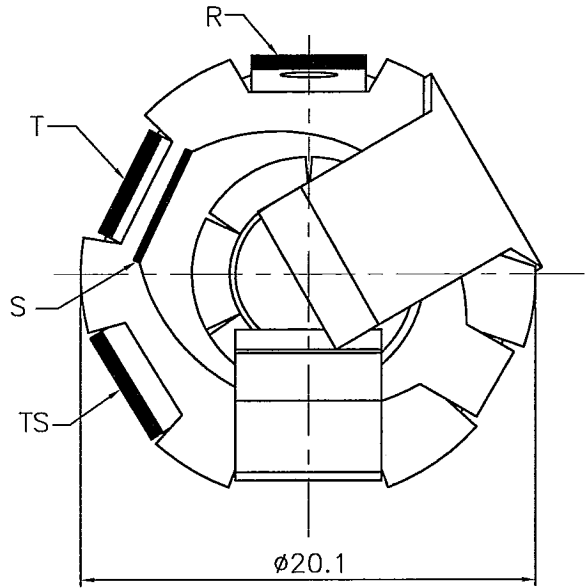
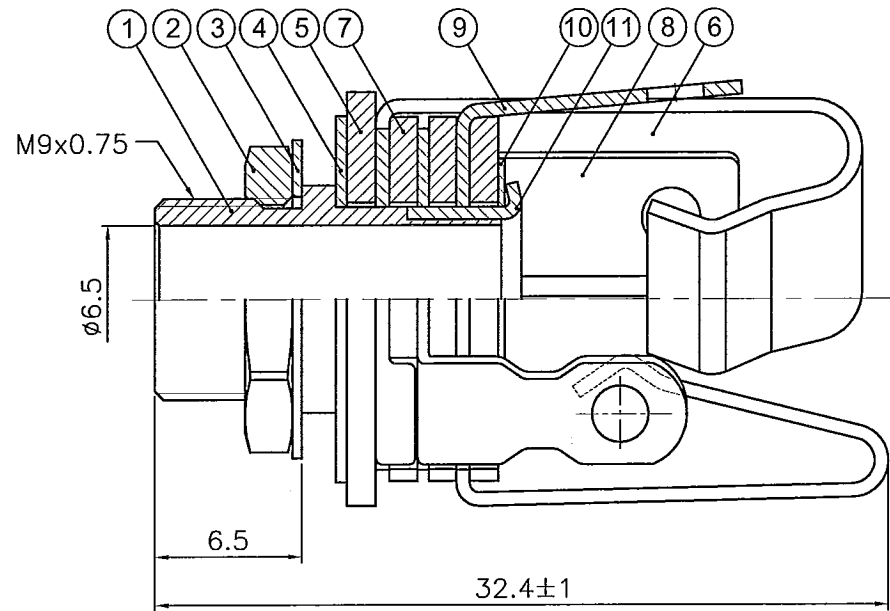


REVISIONS		
ISS	ZONE	DESCRIPTION\PER REQUEST\DATE
V	OPEN	對客戶公開圖紙
	OPEN	對供應商公開圖紙
	CLOSED	僅限廠內使用

台灣日昇電子股份有限公司  
**ISSUE APPROVED**  
 發行核可 本文件與審核  
 紙本正本相符



**PIN DEFINE**  
(針腳定義)

NO.	DESCRIPTION	MATERIAL	FINISH	Q'TY	DRAWING NO.
11	銅管(SLEEVE)	BRASS	鍍鎳(NICKEL)	1	
10	S端子(T-TERMINAL)	BRASS	鍍鎳(NICKEL)	1	
9	R端子(R-TERMINAL)	BRASS	鍍鎳(NICKEL)	1	
8	TS端子(TS-TERMINAL)	BRASS	鍍鎳(NICKEL)	1	
7	電木(BAKELITE)	BAKELITE		3	
6	T端子(T-TERMINAL)	BRASS	鍍鎳(NICKEL)	1	
5	電木(BAKELITE)	BAKELITE		1	
4	墊圈(WASHER)	IRON	鍍鎳(NICKEL)	1	
3	墊圈(WASHER)	IRON	鍍鎳(NICKEL)	1	
2	螺母(HEX. NUT)	IRON	鍍鎳(NICKEL)	1	
1	本體(BODY)	BRASS	鍍鎳(NICKEL)	1	

DIMENSIONS ARE IN MILLIMETERS  
 UNLESS OTHERWISE SPECIFIED  
 TOLERANCES  
 ANGLES = ±5'  
 UP TO 6 = ±0.2  
 6-40 = ±0.4  
 40-120 = ±0.6  
 120-315 = ±1  
 ABOVE 315 = ±1.6

APPROVED: [Signature] DATE: 2014-09-29  
 CHECKED: [Signature] DATE: 2014-09-29  
 DRAWN: 吳碧珊 DATE: 2014-09-26  
 FILE NO. D:\CAD\IS\I  
 SJ208-TW\_CA001A1

**SUNRISE** 日昇電子股份有限公司  
 SUN RISE EXACT INDUSTRIAL CO.  
 TITLE: 6.3mm JACK-CLOSED CIRCUIT,  
 3 CONDUCTOR, STEREO

THIRD_ANGLE		ERP LINK:	PART NO. SJ208-TW	REV. A1
SCALE	3/1			