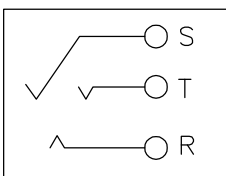
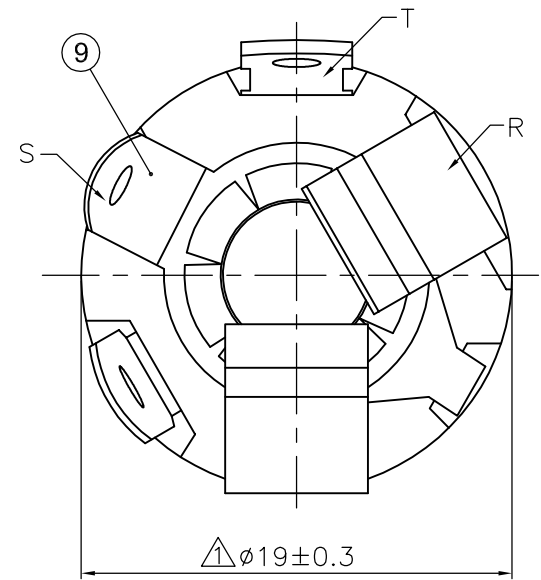
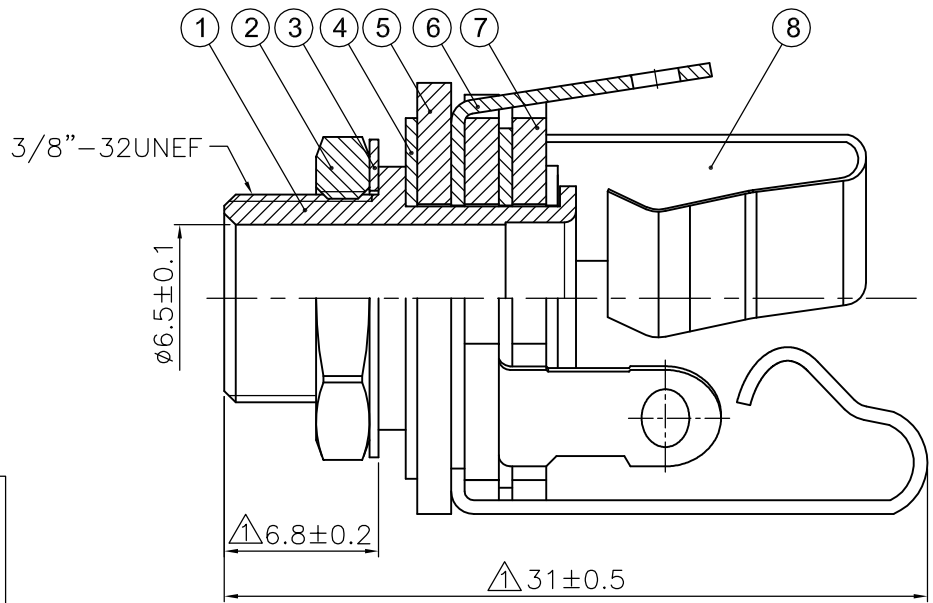


REVISIONS		
ISS	ZONE	DESCRIPTION\PER REQUEST\DATE
A4	C-3	修改尺寸△,尺寸19增加公差
V	OPEN	對客戶公開圖紙
	OPEN	對供應商公開圖紙
	CLOSED	僅限廠內使用

台灣日昇電子股份有限公司
ISSUE APPROVED
 發行核可 本文件與審核紙本正本相符



PIN DEFINE
(針腳定義)

9	S端子(T-TERMINAL)	H62	鍍鎳(NICKEL)	1	1601100005
8	T端子(T-TERMINAL)	PHOSPHOR BRONZE	鍍鎳(NICKEL)	1	
7	電木(BAKELITE)	BAKELITE		2	
6	R端子(R-TERMINAL)	PHOSPHOR BRONZE	鍍鎳(NICKEL)	1	
5	電木(BAKELITE)	BAKELITE		1	
4	墊圈(WASHER)	A3	鍍鎳(NICKEL)	1	
3	墊圈(WASHER)	A3	鍍鎳(NICKEL)	1	
2	螺母(HEX. NUT)	ZZnAL4-0	鍍鎳(NICKEL)	1	
1	本體(BODY)	H59-1	鍍鎳(NICKEL)	1	
NO.	DESCRIPTION	MATERIAL	FINISH	Q'TY	DRAWING NO.

DIMENSIONS ARE IN MILLIMETERS	
UNLESS OTHERWISE SPECIFIED TOLERANCES	
ANGLES = ±5°	
UP TO 6 = ±0.2	
6-40 = ±0.4	
40-120 = ±0.6	
120-315 = ±1	
ABOVE 315 = ±1.6	
THIRD_ANGLE	⊕ ⊖
SCALE	3/1

APPROVED		DATE	2021-12-01
CHECKED		DATE	
DRAWN	吳碧珊	DATE	2021-12-01
FILE NO. D:\CAD\SJ\5110010005_SJ209_CA001A4			
ERP LINK:	5110010005		

	日昇電子股份有限公司		
	SUN RISE EXACT INDUSTRIAL CO.		
TITLE	6.3mm JACK-OPEN CIRCUIT, 3 CONDUCTOR, STEREO		
PART NO.	SJ209	REV.	A4