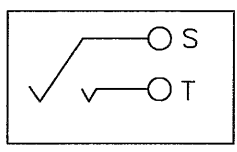
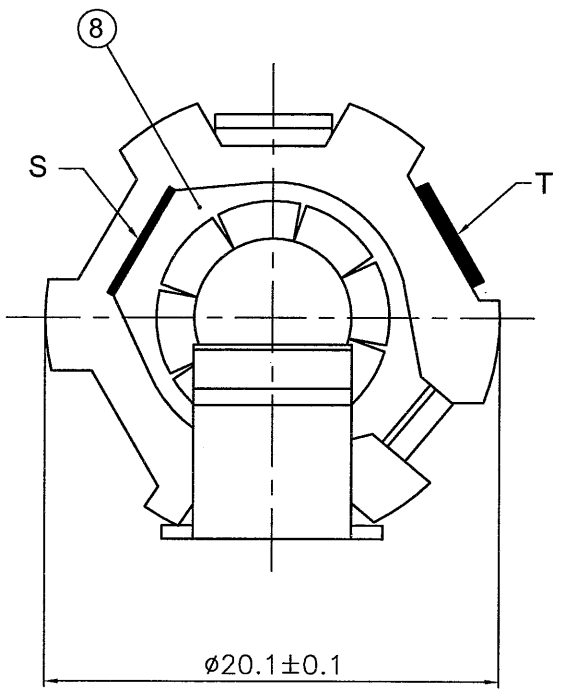
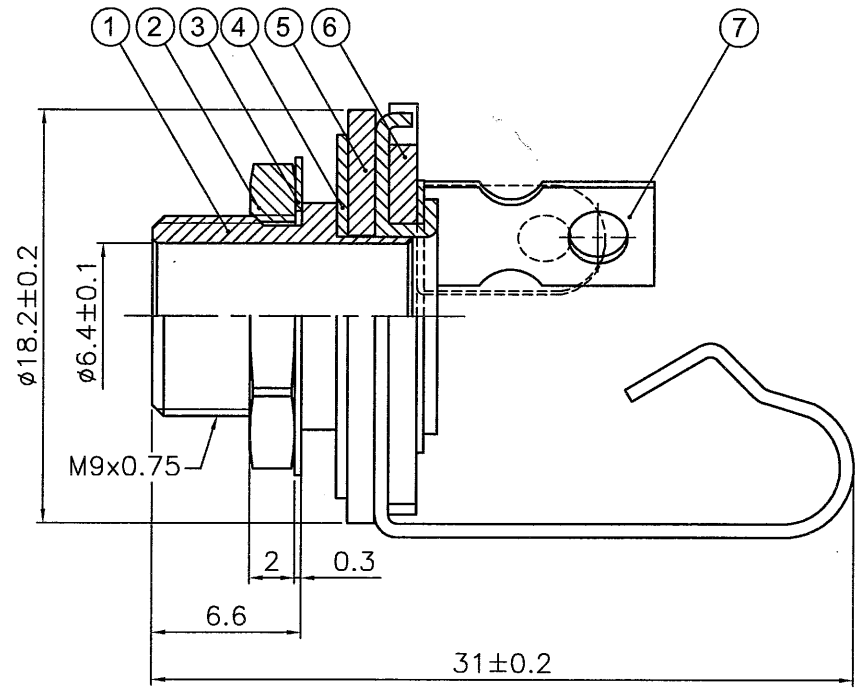


1 2 3 4 5 6 7 8

REVISIONS		
ISS	ZONE	DESCRIPTION\PER REQUEST\DATE
V	OPEN	對客戶公開圖紙
	OPEN	對供應商公開圖紙
	CLOSED	僅限廠內使用

台灣日昇電子股份有限公司  
**ISSUE APPROVED**  
 發行核可 本文件與審核  
 紙本正本相符



**PIN DEFINE**  
 (針腳定義)

8	S端子(S-TERMINAL)	BRASS	鍍鎳(NICKEL)	1		DIMENSIONS ARE IN MILLIMETERS UNLESS OTHERWISE SPECIFIED TOLERANCES ANGLES = ±5' UP TO 6 = ±0.2 6-40 = ±0.4 40-120 = ±0.6 120-315 = ±1 ABOVE 315 = ±1.6	APPROVED <i>黃英新</i>	DATE	2013-02-20	日昇電子股份有限公司 SUN RISE EXACT INDUSTRIAL CO.	TITLE 6.3mm JACK-OPEN CIRCUIT, 2 CONDUCTOR, MONO	
7	T端子(T-TERMINAL)	BRASS	鍍鎳(NICKEL)	1			CHECKED <i>黃英新</i>	DATE	2013-02-20			
6	電木(BAKELITE)	BAKTLITE		1			DRAWN 吳碧珊	DATE	2013-02-20			
5	電木(BAKELITE)	BAKTLITE		1			FILE NO. D:\CAD\IS\J SJ211-TW_CA001A1	ERP LINK:		PART NO.	SJ211-TW	REV.
4	墊圈(WASHER)	IRON	鍍鎳(NICKEL)	1		THIRD_ANGLE						
3	墊圈(WASHER)	IRON	鍍鎳(NICKEL)	1		SCALE	3/1					
2	螺母(HEX. NUT)	IRON	鍍鎳(NICKEL)	1								
1	本體(BODY)	BRASS	鍍鎳(NICKEL)	1								
NO.	DESCRIPTION	MATERIAL	FINISH	Q'TY	DRAWING NO.							

1 2 3 4 5 6 7 8