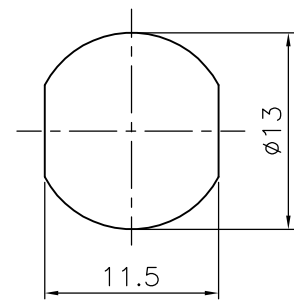
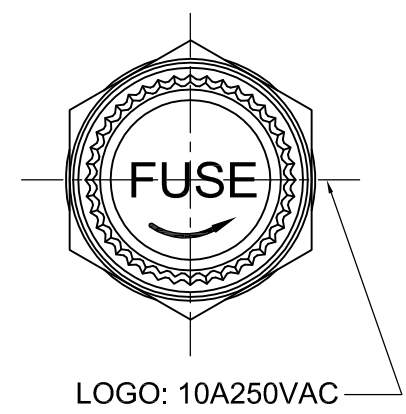
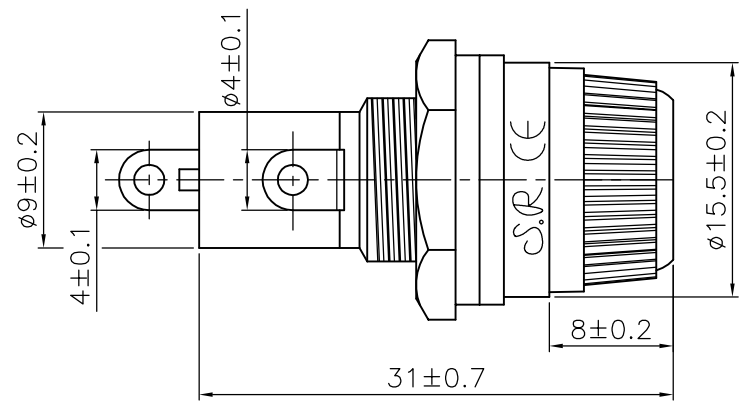
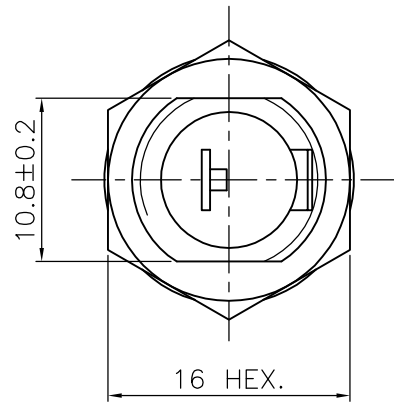
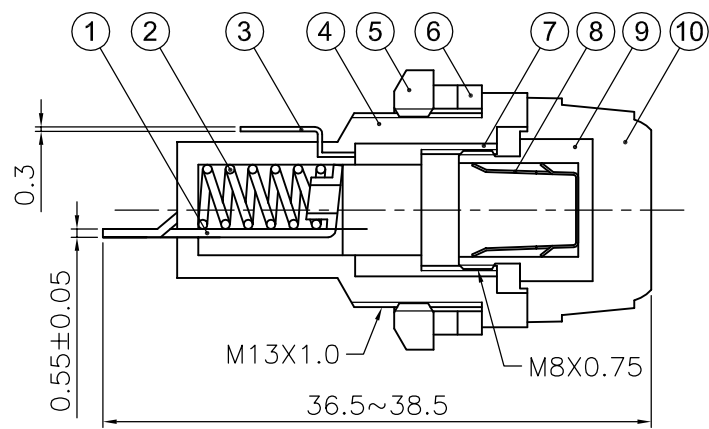


REVISIONS		
ISS	ZONE	DESCRIPTION\PER REQUEST\DATE
A6	B-5	更新圖框, 37~39±1總長尺寸修改, 刪除多餘尺寸
V	OPEN	對客戶公開圖紙
	OPEN	對供應商公開圖紙
	CLOSED	僅限廠內使用



RECOMMENDED MOUNTING HOLE (建議架設孔)



台灣日昇電子股份有限公司
ISSUE APPROVED
 發行核可 本文件與審核紙本正本相符

Note(備註):
 1. Apply to Ø5.2x20 fuse tube (適用於Ø5.2x20保險絲管)

NO.	DESCRIPTION	MATERIAL	FINISH	Q'TY	DRAWING NO.
10	後蓋(BACK COVER)	BAKELITE	黑色(BLACK)	1	
9	嵌螺母(INNER NUT)	H59-1	鍍鎳(NICKEL)	1	
8	彈片(SPRING)	H62	鍍鎳(NICKEL)	1	
7	嵌螺母(INNER NUT)	H59-1	鍍鎳(NICKEL)	1	
6	墊圈(WASHER)	PE	白色(WHITE)	2	
5	六角螺母(HEX. NUT)	ZZnAl4-1	鍍鎳(NICKEL)	1	
4	本體(BODY)	BAKELITE	黑色(BLACK)	1	
3	端子(TERMINAL)	H62	鍍鎳(NICKEL)	1	
2	彈簧(SPRING)	70#	鍍鎳(NICKEL)	1	
1	端子(TERMINAL)	H62	鍍鎳(NICKEL)	1	

DIMENSIONS ARE IN MILLIMETERS		APPROVED	DATE
UNLESS OTHERWISE SPECIFIED TOLERANCES		2019-12-10	
ANGLES = ±5°		CHECKED	DATE
UP TO 6 = ±0.2		2019-12-02	
6-40 = ±0.4		DRAWN	DATE
40-120 = ±0.6		吳碧珊	2019-12-02
120-315 = ±1		FILE NO.	D:\CAD\SF\5120010002_SF372S_CA001A6
ABOVE 315 = ±1.6		ERP LINK:	5120010002
THIRD_ANGLE	☉ ☒	PART NO.	SF372S
SCALE	2/1	REV.	A6

SUNRISE 日昇電子股份有限公司
 SUN RISE EXACT INDUSTRIAL CO.

TITLE: FUSE HOLDER-SMALL TYPE (USING FUSE Ø5.2x20mm), AC250V 10A, CE LISTED

PART NO. SF372S

F
E
D
C
B
A

F
E
D
C
B
A