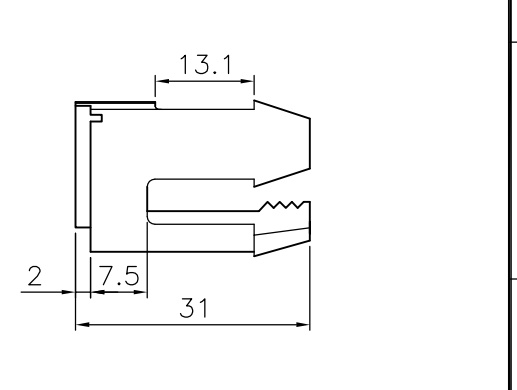
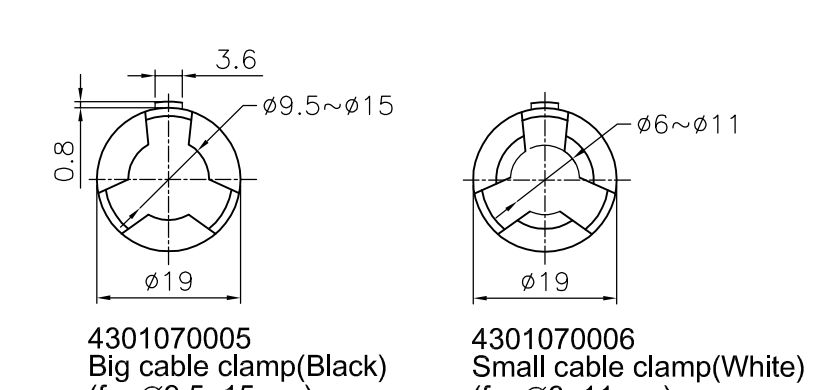
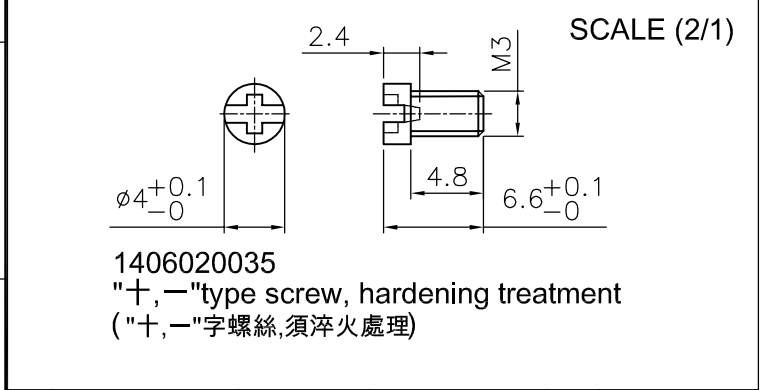


台灣日昇電子股份有限公司  
**ISSUE APPROVED**  
 發行核可  
本文件與簽核紙本正本相符

**Notes(備註):**  
 1. 品名-SR0為外銷自動包裝機包裝袋



NO.	DESCRIPTION	MATERIAL	FINISH	Q'TY	DRAWING NO.
9	螺套 (CAP)	PA	藍色(BLUE)	1	4301060002
8	夾線爪 (CLAMP)	POM	黑/白(BK/WH)	1	4301070005/6
7	彈片 (TERMINAL)	H62	鍍錫(TIN)	4	3105010027
6	螺絲 (SCREW)	A3	發黑(Blackening)	4	1406020035
5	塑殼 (PLASTIC SHELL)	PA	黑色(BLACK)	1	4401150030
4	彈簧 (SPRING)	70# STEEL	鍍鎳(NICKEL)	1	
3	按鍵 (PUSH BUTTON)	ZZnAl4-1	鍍鎳(NICKEL)	1	
2	插針 (PIN)	ZZnAl4-1	鍍銀(SILVER)	4	3102010034
1	頭段 (INSERT)	PA	黑色(BLACK)	1	4301040002

DIMENSIONS ARE IN MILLIMETERS		APPROVED:  DATE: 2019-10-07
UNLESS OTHERWISE SPECIFIED TOLERANCES		CHECKED: DATE:
ANGLES = ±5°		DRAWN: 吳碧珊 DATE: 2019-10-07
UP TO 6 = ±0.2		FILE NO. D:\CAD\SVP\5115010061_
6-40 = ±0.4		SVP562N-C-SR0_CA001A1
40-120 = ±0.6		ERP LINK: 5115010061
120-315 = ±1		PART NO. SVP562N-C-SR0
ABOVE 315 = ±1.6		REV. A1
THIRD_ANGLE		
SCALE	1/1	

**日昇電子股份有限公司**  
 SUN RISE EXACT INDUSTRIAL CO.

TITLE  
**4P FEMALE IN LINE SPEAKER CONNECTOR  
 +SCREW TYPE**