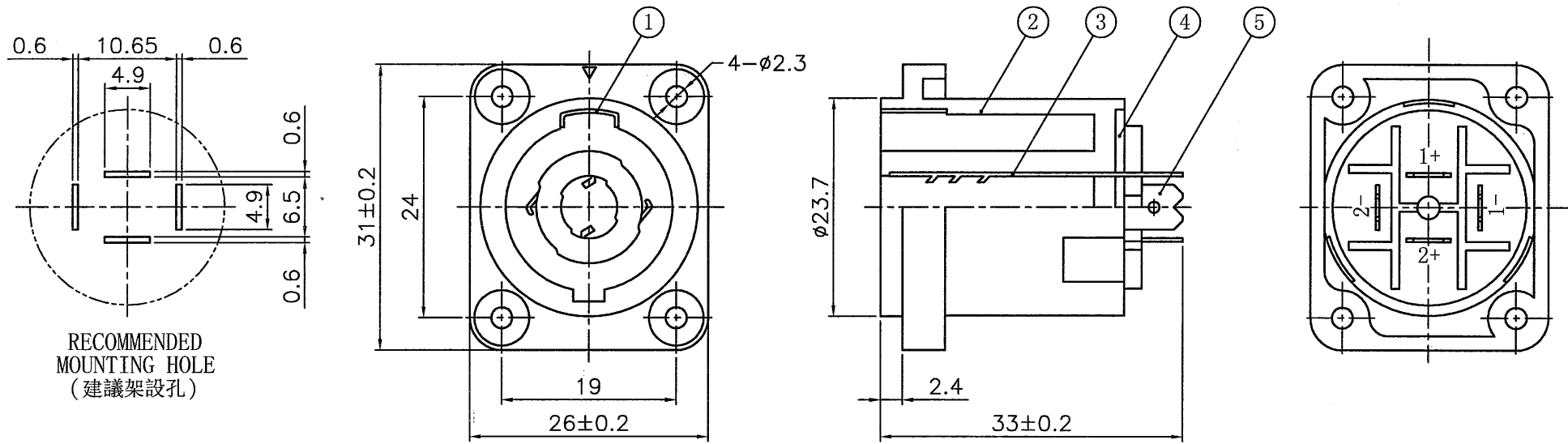


REVISIONS		
ISS	ZONE	DESCRIPTION\PER REQUEST\DATE
A4	D-1	增加建議架設孔
V	OPEN	對客戶公開圖紙
	OPEN	對供應商公開圖紙
	CLOSED	僅限廠內使用

台灣日昇電子股份有限公司
ISSUE APPROVED
 發行核可
 本文件與簽核
 紙本正本相符



ELECTRICAL (電氣性能):	
CONTACT RESISTANCE (接觸電阻)	3 mohms max.
INSULATOR RESISTANCE (絕緣電阻)	100 Mohms min.
CURRENT RATING (耐電流)	20A
VOLTAGE PROOF (耐電壓)	250 VAC

TECHNIQUE REQUESTS (技術要求):
 1. Mounting holes to accept M3x0.5 bolts or rivets (固定架設孔接受M3x0.5螺栓或鉚釘)

NO.	DESCRIPTION	MATERIAL	FINISH	Q'TY	DRAWING NO.
5	端子 1 ⁻ (TERMINAL 1 ⁻)	H62	鍍金 (GOLD)	2	3101010006
4	後蓋 (BACK COVER)	PA	黑色 (BLACK)	1	4301080003
3	端子 1 ⁺ (TERMINAL 1 ⁺)	H62	鍍金 (GOLD)	2	3101010005
2	塑殼 (PLASTIC SHELL)	PA	黑色 (BLACK)	1	4301030006
1	金屬片 (SHEET METAL)	PHOSPHOR BRONZE	鍍鎳 (NICKEL)	1	3103040005

DIMENSIONS ARE IN MILLIMETERS UNLESS OTHERWISE SPECIFIED TOLERANCES ANGLES = ±5° UP TO 6 = ±0.2 6-40 = ±0.4 40-120 = ±0.6 120-315 = ±1 ABOVE 315 = ±1.6	APPROVED:	DATE: 2012-07-18	日昇電子股份有限公司 SUN RISE EXACT INDUSTRIAL CO.
	CHECKED:	DATE: 2012-07-18	
	DRAWN:	DATE: 2012-07-18	TITLE 4P MALE PANEL MOUNT SPEAKER CONNECTOR W/METAL FLANGE FOR SELF-TAPPING SCREW
	FILE NO. D:\CAD\SVP其他系列\ 5115020023_SVP563S-ST-M_CA001A3		
THIRD_ANGLE:	ERP LINK: 5115020023	PART NO. SVP563S-ST-M	REV. A4

F
E
D
C
B
A

1 2 3 4 5 6 7 8