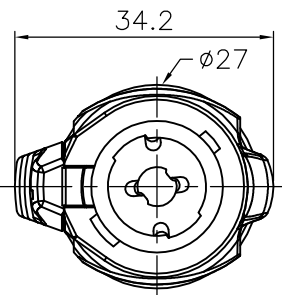
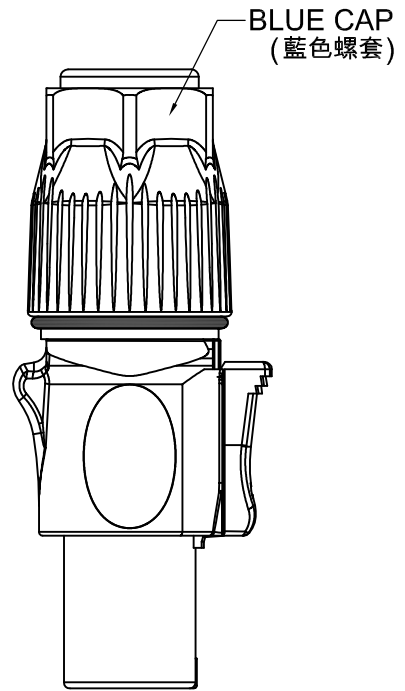
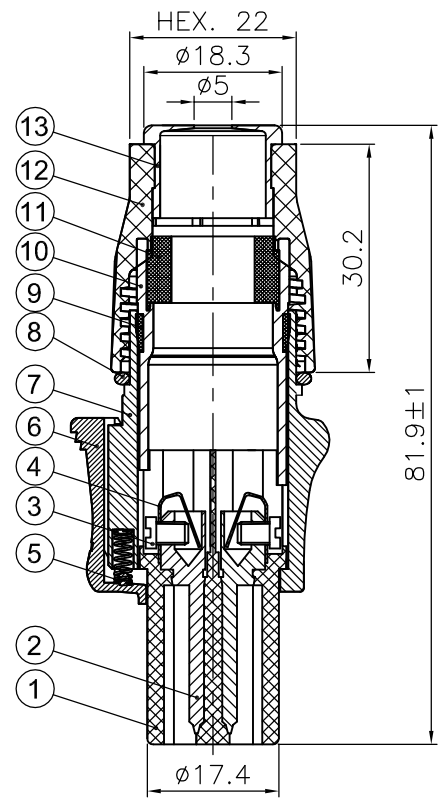
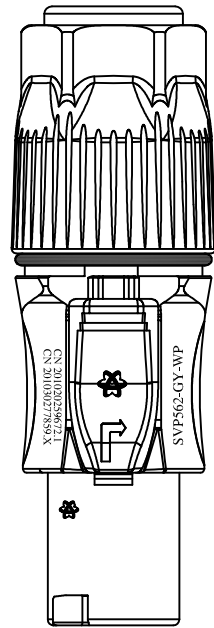


REVISIONS		
ISS	ZONE	DESCRIPTION\PER REQUEST\DATE
A5	D-6	∅15.4改∅18.3, 總長79.2改81.9±1, ∅22改HEX. 22
V	OPEN	對客戶公開圖紙
	OPEN	對供應商公開圖紙
	CLOSED	僅限廠內使用

Part No.: SVP562-GY-WP  
 (品名)  
 China patent No.: CN 201020259672.1  
 (中國專利號) CN 201030277859.X  
 Printing color: White ink  
 (印字顏色: 白色油墨)  
 Printing font: Times.New.Roman  
 (印字字體)



13	尾套(BOOT)	PVC	黑色(BLACK)	1	4401130026
12	螺套(CAP)	NYLON	藍色(BLUE)	1	
11	密封圈(夾線處) (SEAL RING)	NBR	規格: ∅12-∅15	1	1209100022
			∅8.5-∅11	1	4401130021
10	夾線爪(CABLE CLAMP)	NYLON	灰白色(GRAY)	1	
9	密封圈(外殼處) (SEAL RING)	NBR	黑色(BLACK)	1	
			∅19xL5		
8	密封圈(SEAL RING)	SILICON	∅20x2(WH)	1	1208010084
7	塑殼(PLASTIC SHELL)	NYLON	深灰色 (DARK GRAY)	1	4401130019
6	按鍵(PUSH BUTTON)	ZINC	鍍鎳(NICKEL)	1	
5	推杆彈簧(PUSH BUTTON SPRING)	SPRING STEEL	∅2.4x∅1.8x9.5	1	
4	彈片(SPRING)	H62	鍍錫(TIN)	4	4401130031
3	螺絲(SCREW)	A3	電泳黑(ELECTOR- COATING BLACK)	4	
			M3x4.8		
2	插針(PIN)	ZINC	鍍銀(SILVER)	4	
1	頭殼 (HEADER CLOCK)	PA	黑色(BLACK)	1	
NO.	DESCRIPTION	MATERIAL	FINISH	Q'TY	DRAWING NO.

DIMENSIONS ARE IN MILLIMETERS		APPROVED	DATE
UNLESS OTHERWISE SPECIFIED TOLERANCES		2019-06-03	
ANGLES = ±5°		CHECKED	DATE
UP TO 6 = ±0.2		吳碧珊	
6-40 = ±0.4		DRAWN	DATE
40-120 = ±0.6		吳碧珊	2019-05-30
120-315 = ±1		FILE NO.	D:\CAD\SVP5115010050_
ABOVE 315 = ±1.6		SVP562-GY-WP_CA001A5	
THIRD_ANGLE	☉ ☐	ERP LINK:	5115010050
SCALE	1/1		

台灣日昇電子股份有限公司  
**ISSUE APPROVED**  
 發行核可 本文件與簽核  
 紙本正本相符

		<b>日昇電子股份有限公司</b> SUN RISE EXACT INDUSTRIAL CO.	
TITLE			
4P FEMALE IN LINE SPEAKER CONNECTOR + SCREW TYPE, HAVE WATERPROOF CABLE CLAMP (WITH BLUE CAP)			
PART NO.	SVP562-GY-WP	REV.	A5