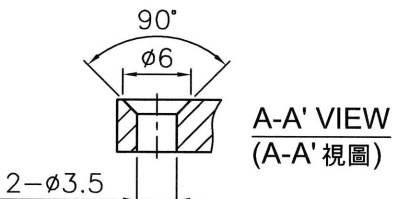


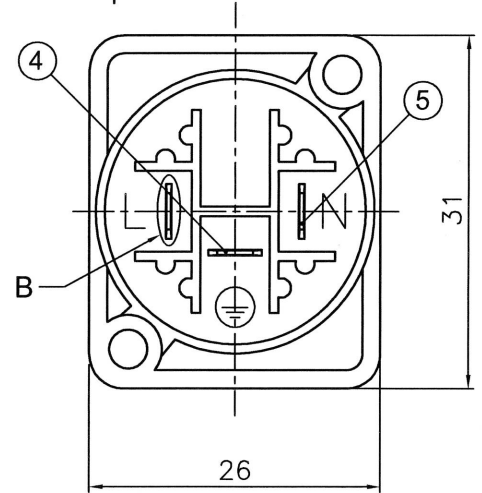
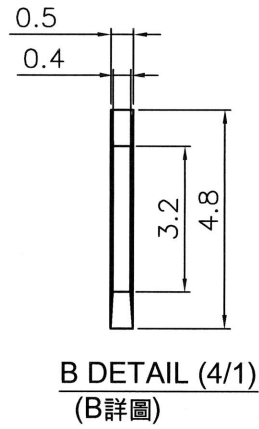
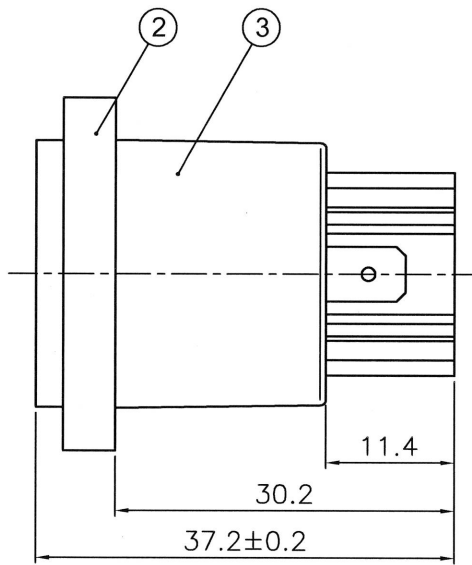
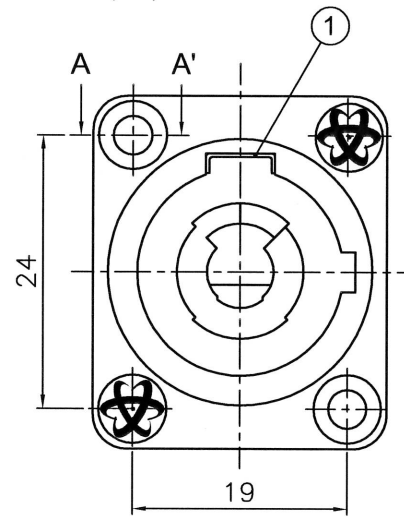
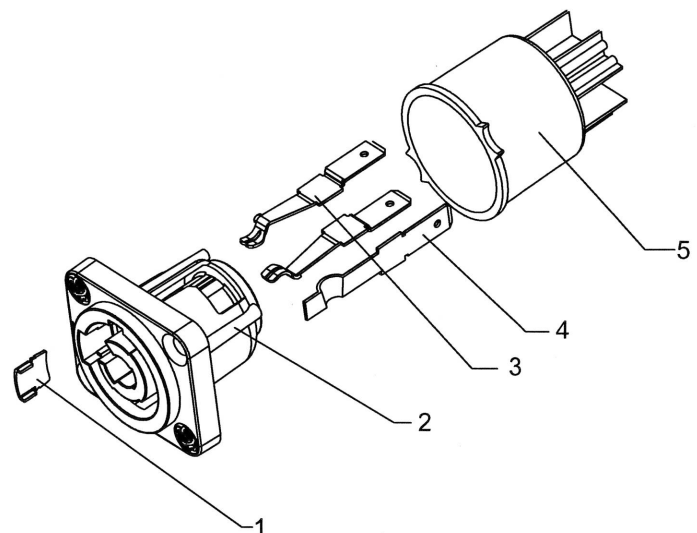
REVISIONS		
ISS	ZONE	DESCRIPTION\PER REQUEST\DATE
V	OPEN	對客戶公開圖紙
	OPEN	對供應商公開圖紙
	CLOSED	僅限廠內使用

台灣日昇電子股份有限公司
ISSUE APPROVED
 發行核可
本文件與簽核紙本正本相符

F
E
D
C
B
A



Note(備註):
 1. No print on connector
 (接頭上無任何印字)



NO.	DESCRIPTION	MATERIAL	FINISH	Q'TY	DRAWING NO.
5	插針 (PIN-L/N)	PHOSPHOR BRONZE	鍍銀 (SILVER)	2	3102010031
4	插針 (PIN-GROUND)	PHOSPHOR BRONZE	鍍銀 (SILVER)	1	3102010030
3	後蓋 (BACK COVER)	PA	黑色 (BLACK)	1	4301080010
2	塑座 (PLASTIC BASE)	PA	灰白色 (ASH GRAY)	1	4301030022
1	固定片 (SHEET METAL)	PHOSPHOR BRONZE	鍍鎳 (NICKEL)	1	3103040005

DIMENSIONS ARE IN MILLIMETERS		APPROVED	DATE
UNLESS OTHERWISE SPECIFIED TOLERANCES		CHECKED	DATE
ANGLES = ±5°		DRAWN	DATE
UP TO 6 = ±0.2		FILE NO. D:\CAD\SVP\5113190026_	
6-40 = ±0.4		SVP593MB-GY-NL_CA001A1	
40-120 = ±0.6		ERP LINK:	5113190026
120-315 = ±1			
ABOVE 315 = ±1.6			
THIRD_ANGLE			
SCALE	1.5/1		

日昇電子股份有限公司 SUN RISE EXACT INDUSTRIAL CO.		TITLE	
		3PIN PANEL MOUNT MALE POWER CONNECTOR FOR OUTPUT	
PART NO.		REV.	
SVP593MB-GY-NL		A1	

F
E
D
C
B
A