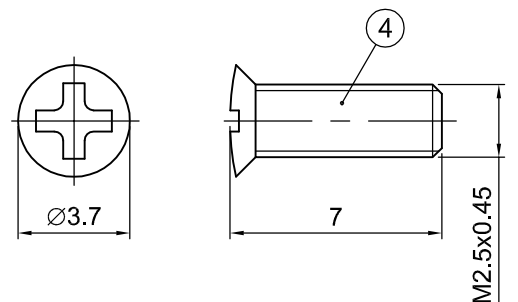
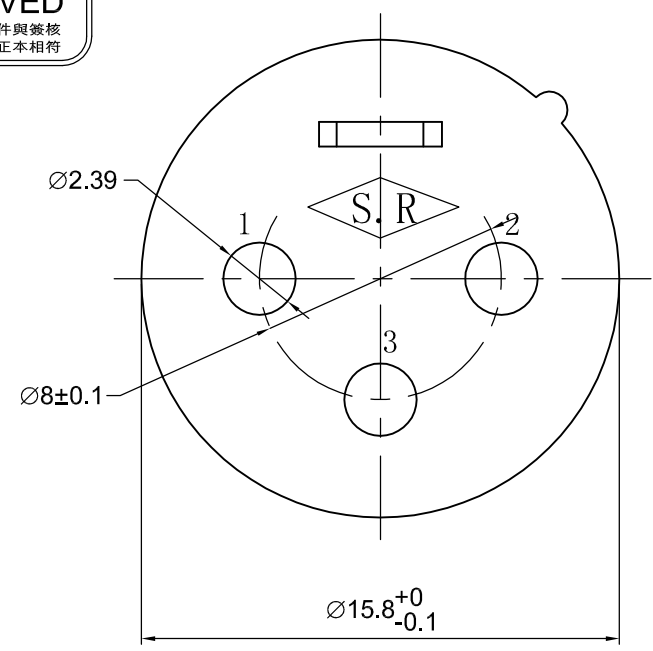
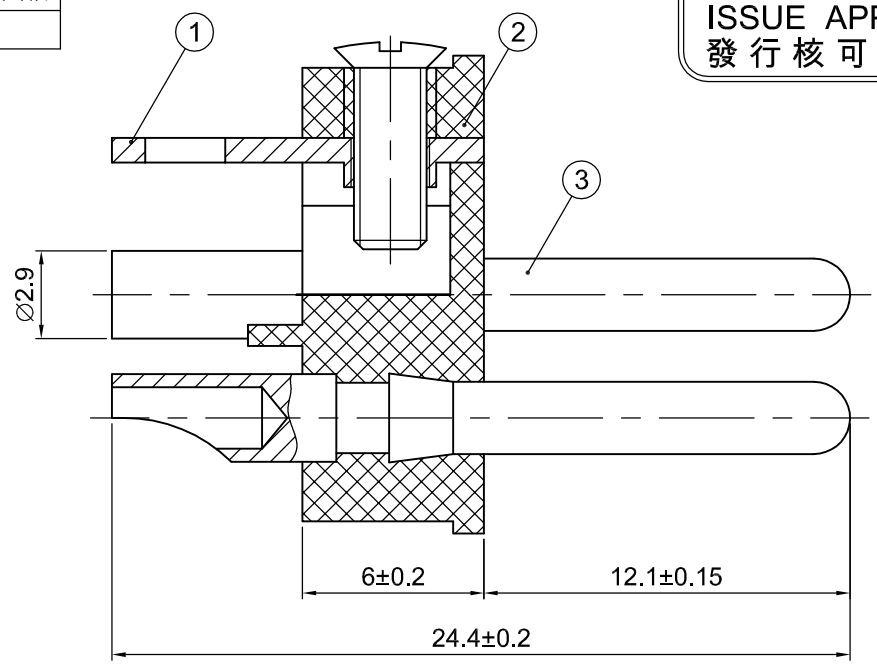


1 2 3 4 5 6 7 8


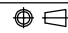
REVISIONS		
ISS	ZONE	DESCRIPTION\PER REQUEST\DATE
A8	B-4	增加英文說明
V	OPEN	對客戶公開圖紙
	OPEN	對供應商公開圖紙
	CLOSED	僅限廠內使用

台灣日昇電子股份有限公司  
**ISSUE APPROVED**  
 發行核可 本文件與簽核紙本正本相符



品號 (ERP link)	品名 (Part No.)	插針電鍍 (Pin finish)
5111020007	SVP555B	Silver(鍍銀)
5111020002	SVP555B-PG	Gold(鍍金)

NO.	DESCRIPTION	MATERIAL	FINISH	Q'TY	DRAWING NO.
4	螺絲(SCREW)	Q235	鍍鎳(NICKEL)	1	
3	插針(PIN)	H59-1	鍍銀(SILVER)	3	
2	塑粒(INSULATOR)	PA	黑色(BLACK)	1	
1	端子(TERMINAL)	H62	鍍錫(TIN)	1	

DIMENSIONS ARE IN MILLIMETERS		APPROVED  DATE 2023-03-20
UNLESS OTHERWISE SPECIFIED TOLERANCES		CHECKED DATE
ANGLES = ±5°		DRAWN 吳碧珊 DATE 2023-03-20
UP TO 6 = ±0.2		FILE NO. D:\CAD\SVP555\5111020007_\SVP555B_CA001A3
6-40 = ±0.4		ERP LINK: 5111020007
40-120 = ±0.6		
120-315 = ±1		
ABOVE 315 = ±1.6		
THIRD_ANGLE		
SCALE	4/1	

 <b>日昇電子股份有限公司</b> SUN RISE EXACT INDUSTRIAL CO.	
TITLE <b>3PIN XLR MALE CONNECTOR BODY PART FOR MICROPHONE</b>	
PART NO.	SVP555B
REV.	A8

1 2 3 4 5 6 7 8

F

E

D

C

B

A

F

E

D

C

B

A