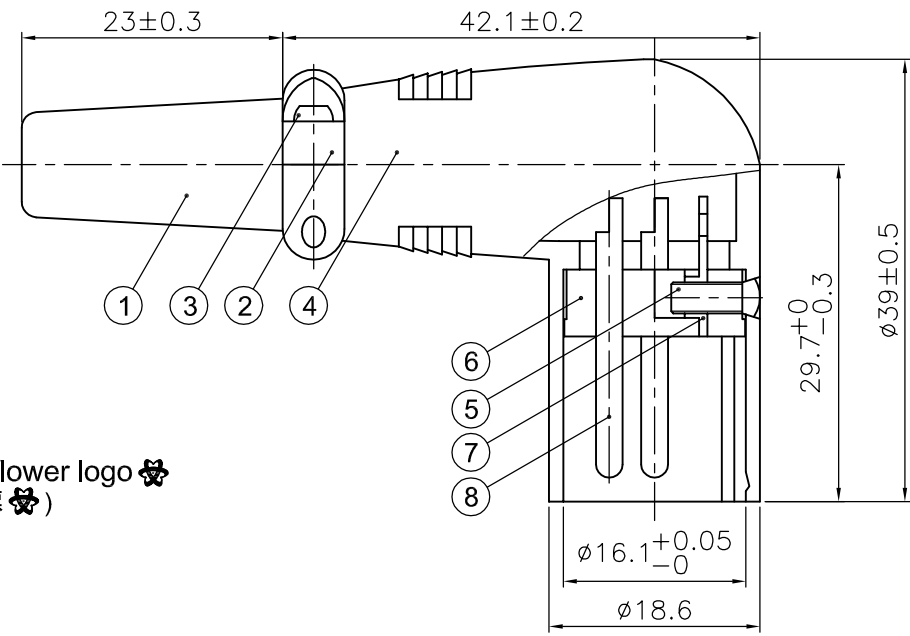
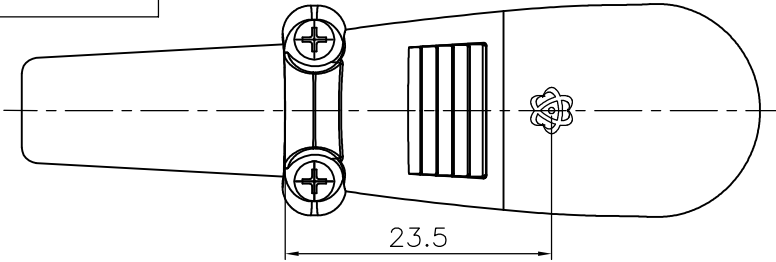
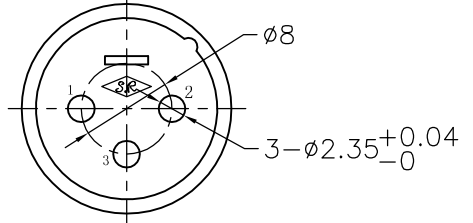


REVISIONS		
ISS	ZONE	DESCRIPTION\PER REQUEST\DATE
A4	B-7	新增品名SVP555R-SR0及備註
V	OPEN	對客戶公開圖紙
	OPEN	對供應商公開圖紙
	CLOSED	僅限廠內使用



台灣日昇電子股份有限公司  
**ISSUE APPROVED**  
 發行核可 本文件與簽核紙本正本相符



A view  
(A視圖)

Note(備註):  
 1. Housing with a flower logo (鋅殼上有花形商標)

ERP link(品號)	Part No.(品名)
5111090001	SVP555R
5111090011	SVP555R-SR0

品名-SR0為外銷自動包裝機包裝袋

NO.	DESCRIPTION	MATERIAL	FINISH	Q'TY	DRAWING NO.
8	插針(PIN)	H59-1	鍍銀(SILVER)	3	
7	端子(TERMINAL)	H62	鍍銀(SILVER)	1	
6	塑粒(INSULATOR)	PA	黑色(BLACK)	1	
5	螺絲(SCREW)	A3	鍍鎳(NICKEL)	1	
4	鋅殼(DIE-CAST SHELL)	ZZnAl4-1	鍍鎳(NICKEL)	1	
3	螺絲(SCREW)	A3	鍍鎳(NICKEL)	2	
2	後蓋(BACK COVER)	ZZnAl4-1	鍍鎳(NICKEL)	1	
1	尾套(BOOT)	PVC	黑色(BLACK)	1	

DIMENSIONS ARE IN MILLIMETERS  
 UNLESS OTHERWISE SPECIFIED  
 TOLERANCES  
 ANGLES = ±5'  
 UP TO 6 = ±0.2  
 6-40 = ±0.4  
 40-120 = ±0.6  
 120-315 = ±1  
 ABOVE 315 = ±1.6

THIRD\_ANGLE

SCALE 1.5/1

APPROVED DATE 2021-12-24  
 CHECKED DATE  
 DRAWN 吳碧珊 DATE 2021-12-22  
 FILE NO. D:\CAD\SVP555\5111090001\_  
 SVP555R\_CA001A4  
 ERP LINK: 5111090001

**日昇電子股份有限公司**  
 SUN RISE EXACT INDUSTRIAL CO.

TITLE  
 3PIN XLR MALE RIGHT ANGLE CONNECTOR  
 OD.:3.3~7mm

PART NO. SVP555R REV. A4