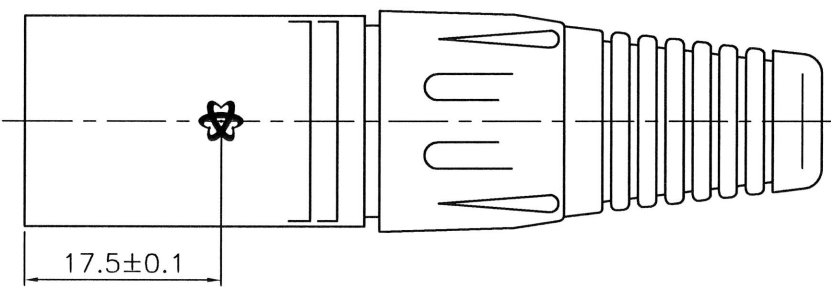
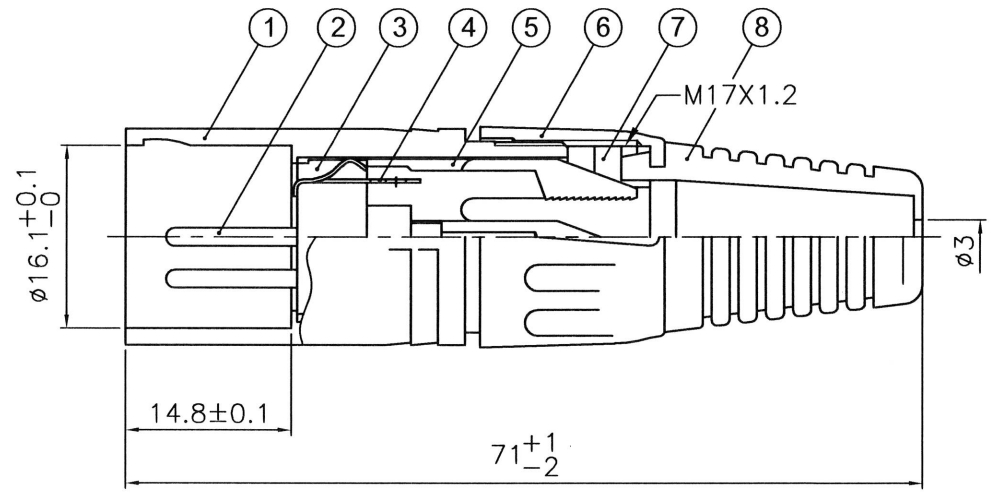
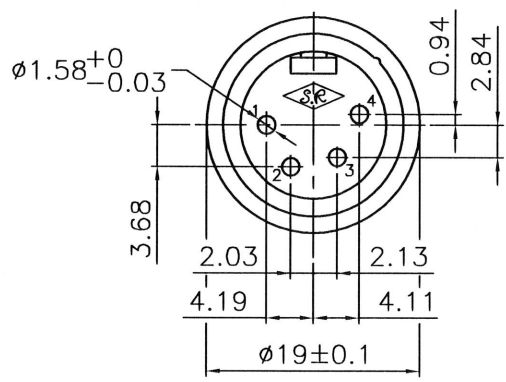
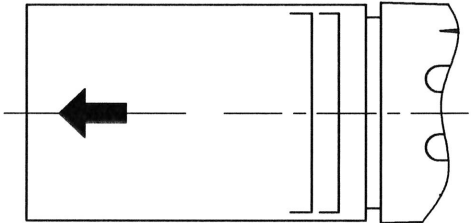


REVISIONS		
ISS	ZONE	DESCRIPTION\PER REQUEST\DATE
V	OPEN	對客戶公開圖紙
	OPEN	對供應商公開圖紙
	CLOSED	僅限廠內使用

台灣日昇電子股份有限公司
ISSUE APPROVED
 發行核可 本文件與審核紙本正本相符



Notes(備註):

- 1. Housing with a flower logo (鋅殼上有花型商標)
- 2. Insulator with a S.R logo (塑粒上有SR商標)
- ★3. Available for OD: 4mm ~ 7.2mm cable. (適用於4mm~7.2mm線徑)

Electrical(電氣性能):	
Contact resistance(接觸電阻)	5 mohms max.
Insulator resistance(絕緣電阻)	5000 MΩ min.
Current rating(耐電流)	4P/10A
Voltage proof(耐電壓)	1500 VAC

NO.	DESCRIPTION	MATERIAL	FINISH	Q'TY	DRAWING NO.
8	尾套(BOOT)	PVC	黑色(BLACK)	1	
7	T型圈(T-RING)	POM	白色(WHITE)	1	4301050010
6	螺套(CAP)	PA	黑色(BLACK)	1	
5	夾線爪(CHUCK)	POM	白色(WHITE)	1	4301070001
4	端子(TERMINAL)	H62	鍍錫(TIN)	1	3105010009
3	塑粒(INSULATOR)	PA	黑色(BLACK)	1	4301010028
2	插針(PIN)	H59-1	鍍銀(SILVER)	4	3102010003
1	鋅殼(DIE-CAST SHELL)	ZZnAL4-0	鍍鎳(NICKEL)	1	3301010078

DIMENSIONS ARE IN MILLIMETERS		APPROVED 黃英哲 DATE 2017-05-16
UNLESS OTHERWISE SPECIFIED TOLERANCES		CHECKED DATE
ANGLES = ±5°		DRAWN 吳碧珊 DATE 2017-05-10
UP TO 6 = ±0.2		
6-40 = ±0.4		
40-120 = ±0.6		
120-315 = ±1		
ABOVE 315 = ±1.6		FILE NO. D:\CAD\SVP555\5111070390_SVP555SC-4P-SR_CA001A1
THIRD_ANGLE	☉	ERP LINK: 5111070390
SCALE	1.5/1	PART NO. SVP555SC-4P-SR

SUNRISE 日昇電子股份有限公司
 SUN RISE EXACT INDUSTRIAL CO.

TITLE: 4P XLR MALE CONNECTOR

REV. A1

F
E
D
C
B
A

F
E
D
C
B
A