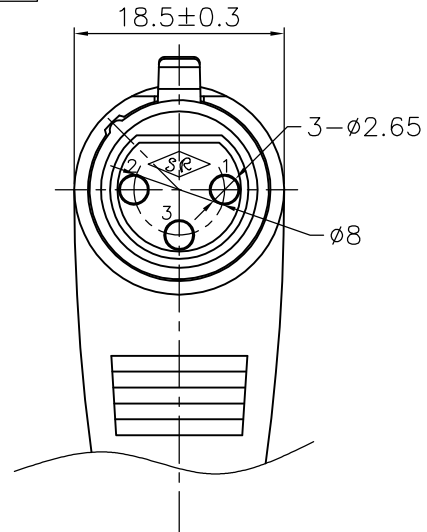
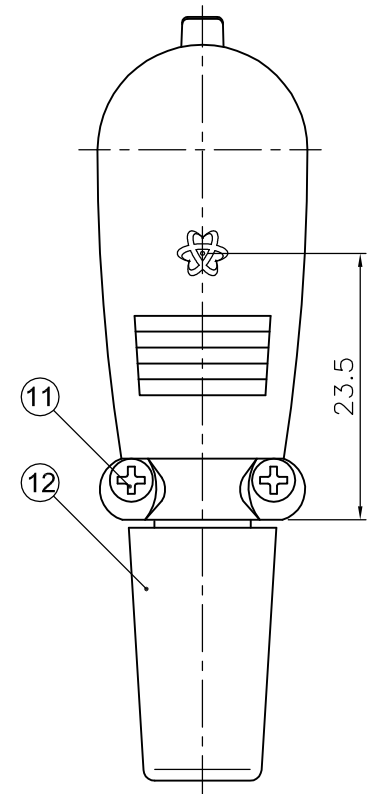
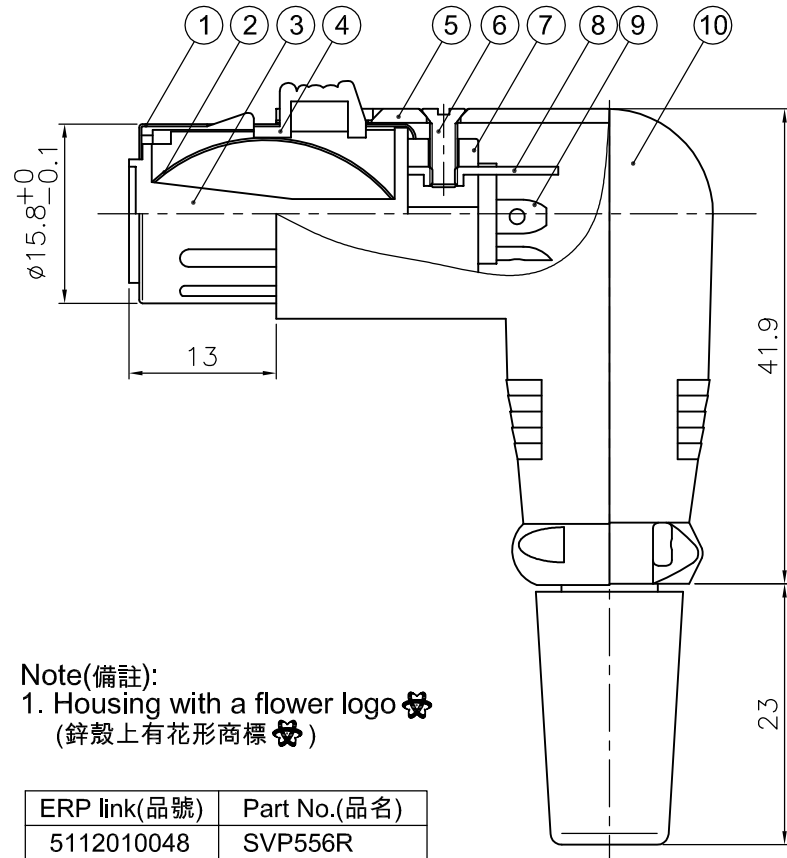


REVISIONS		
ISS	ZONE	DESCRIPTION\PER REQUEST\DATE
A3	ALL	刪除不易量測尺寸,增加備註及品名SVP556R-SR0
V	OPEN	對客戶公開圖紙
	OPEN	對供應商公開圖紙
	CLOSED	僅限廠內使用



台灣日昇電子股份有限公司  
**ISSUE APPROVED**  
 發行核可 本文件與簽核紙本正本相符



Note(備註):  
 1. Housing with a flower logo (鋅殼上有花形商標)

ERP link(品號)	Part No.(品名)
5112010048	SVP556R
5112010603	SVP556R-SR0

品名-SR0為外銷自動包裝機包裝袋

NO.	DESCRIPTION	MATERIAL	FINISH	Q'TY	DRAWING NO.
12	尾套(Boot)	PVC	黑色(BLACK)	1	
11	螺絲(Screw)	Q235	鍍鎳(NICKEL)	2	
10	鋅蓋(Zinc cover)	ZZnAL4-1	鍍鎳(NICKEL)	1	
9	插孔(Female pin)	PHOSPHOR BRONZE	鍍銀(SILVER)	3	
8	端子(Terminal)	H62	鍍錫(TIN)	1	
7	塑粒後蓋(Insulator back cover)	PA	黑色(BLACK)	1	
6	螺絲(Screw)	Q235	鍍鎳(NICKEL)	1	
5	鋅殼(Die-cast shell)	ZZnAL4-1	鍍鎳(NICKEL)	1	
4	按鍵(Push button)	ZZnAL4-1	鍍鎳(NICKEL)	1	
3	塑粒(Insulator)	PA	黑色(BLACK)	1	
2	彈簧鋼片(Spring)	STEEL	NATURAL	1	
1	銅殼(Brass shell)	H62	鍍鎳(NICKEL)	1	

DIMENSIONS ARE IN MILLIMETERS		APPROVED	DATE
UNLESS OTHERWISE SPECIFIED TOLERANCES		CHECKED	DATE
ANGLES = ±5°		DRAWN	DATE
UP TO 6 = ±0.2		FILE NO.	
6-40 = ±0.4			
40-120 = ±0.6			
120-315 = ±1			
ABOVE 315 = ±1.6			
THIRD_ANGLE	⊕ ⊖	ERP LINK:	
SCALE	1.5/1		

日昇電子股份有限公司 SUN RISE EXACT INDUSTRIAL CO.	
TITLE 3P XLR FEMALE CONNECTOR, RIGHT ANGLE ∅3.3~∅7mm	
PART NO.	SVP556R
REV.	A3