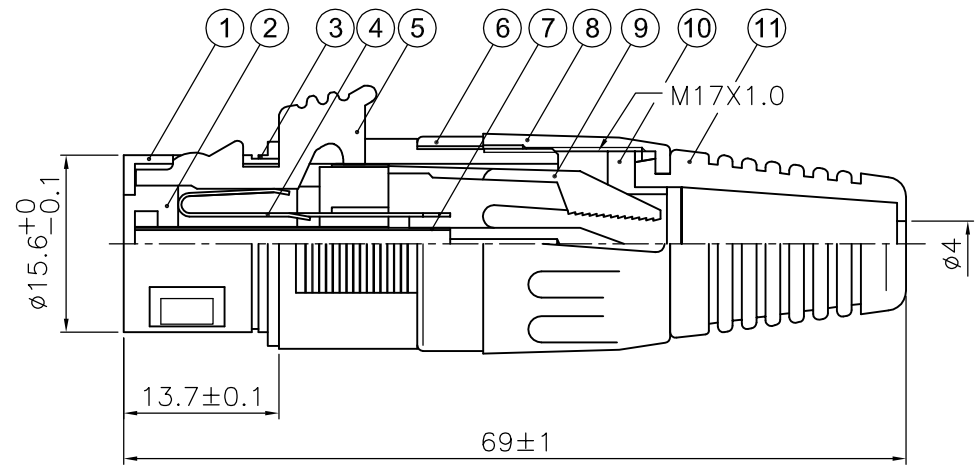
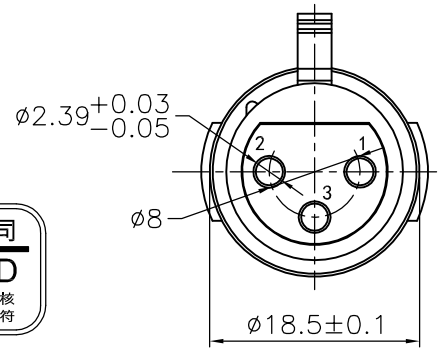
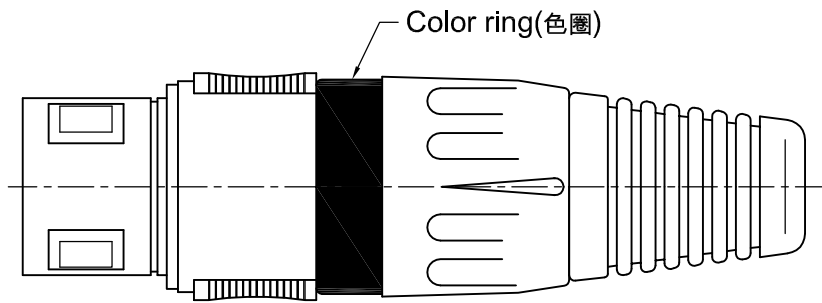


REVISIONS		
ISS	ZONE	DESCRIPTION\PER REQUEST\DATE
V	OPEN	對客戶公開圖紙
	OPEN	對供應商公開圖紙
	CLOSED	僅限廠內使用

台灣日昇電子股份有限公司
ISSUE APPROVED
 發行核可
本文件與審核紙正本相符



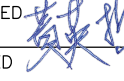

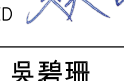
ERP LINK(品號)	Part No. (品名)	Color ring(色圈)
5112010325	SVP556S-N1-SR0	BLACK(黑色)
5112010326	SVP556S-N1-RD-SR0	RED(紅色)
5112010327	SVP556S-N1-BL-SR0	BLUE(藍色)
5112010328	SVP556S-N1-YL-SR0	YELLOW(黃色)
5112010329	SVP556S-N1-GN-SR0	GREEN(綠色)



5. COLOR RING
 Color List: BK / RD / BL / GN / YL
 (黑色/紅色/藍色/綠色/黃色)

11	尾套(BOOT)	PVC	黑色(BLACK)	1	1601120236
10	T型圈(T-RING)	PP		1	
9	夾線爪(CHUCK)	PA	黑色(BLACK)	1	
8	螺套(CAP)	PA	黑色(BLACK)	1	
7	插孔(PIN)	PHOSPHOR BRONZE	鍍銀(SILVER)	3	
6	色圈(COLOR RING)	ABS	SEE COLOR LIST	1	
5	按鍵(PUSH BUTTON)	ZZnAL4-0	鍍鎳(NICKEL)	1	
4	鋼片(LATCH)	STAINLESS STEEL	鍍鎳(NICKEL)	1	
3	密封圈(SEAL)	RUBBER	黑色(BLACK)	1	
2	塑粒(INSULATOR)	PBT	黑色(BLACK)	1	
1	本體(BODY)	ZZnAL4-0	鍍鎳(NICKEL)	1	
NO.	DESCRIPTION	MATERIAL	FINISH	Q'TY	DRAWING NO.

Note(備註):
 1. 品名-SR0為外銷自動包裝機包裝袋

DIMENSIONS ARE IN MILLIMETERS UNLESS OTHERWISE SPECIFIED TOLERANCES ANGLES = ±5° UP TO 6 = ±0.2 6-40 = ±0.4 40-120 = ±0.6 120-315 = ±1 ABOVE 315 = ±1.6	APPROVED:  DATE 2019-10-07	 日昇電子股份有限公司 SUN RISE EXACT INDUSTRIAL CO.
	CHECKED:  DATE	
THIRD_ANGLE	DRAWN: 吳碧珊 DATE 2019-10-07	FILE NO. D:\CAD\SVP556\5112010325_SVP556S-N1-SR0_CA001A1
SCALE 1.5/1	ERP LINK: 5112010325	PART NO. SVP556S-N1-SR0
		REV. A1

F
E
D
C
B
A

F
E
D
C
B
A