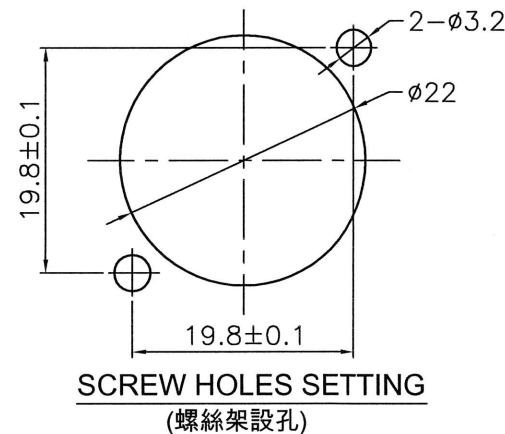
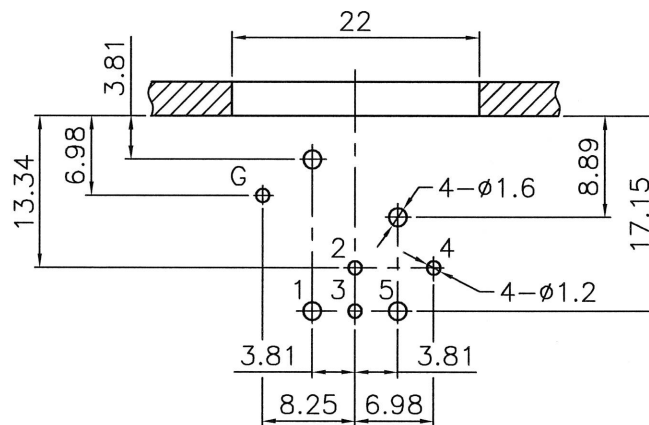
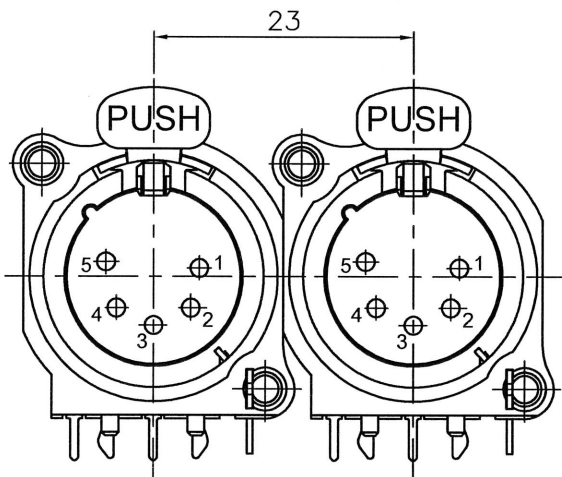
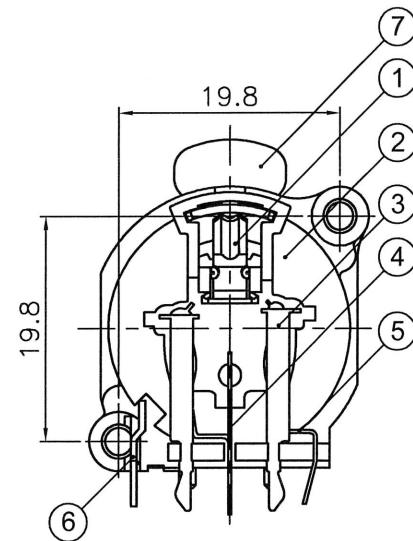
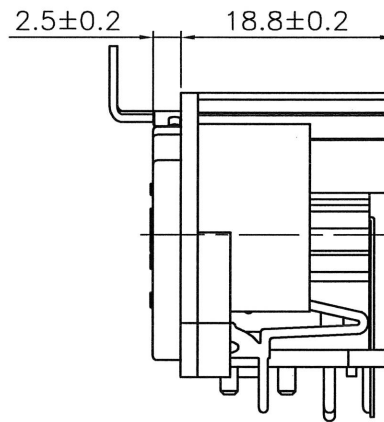
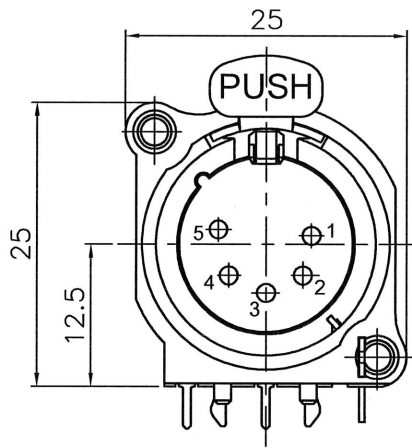


REVISIONS		
ISS	ZONE	DESCRIPTION\PER REQUEST\DATE
A3	F-5	3.0修改為2.5±0.2
V	OPEN	對客戶公開圖紙
	OPEN	對供應商公開圖紙
	CLOSED	僅限廠內使用

台灣日昇電子股份有限公司  
**ISSUE APPROVED**  
 發行核可 本文件與簽核紙本正本相符



7	推杆(PUSH BUTTON)	H62	鍍鎳(NICKEL)	1	1601120197
6	接地端子(GND TERMINAL)	H62	鍍鎳(NICKEL)	1	
5	端子2&4(TERMINAL-2&4)	H62	鍍金(GOLD)	2	
4	端子3(TERMINAL-3)	H62	鍍金(GOLD)	1	
3	端子1&5(TERMINAL-1&5)	H62	鍍金(GOLD)	2	
2	本體(BODY)	PA	黑色(BLACK)	1	
1	鋼片(LATCH)	65Mn	鍍鎳(NICKEL)	1	
NO.	DESCRIPTION	MATERIAL	FINISH	Q'TY	DRAWING NO.

DIMENSIONS ARE IN MILLIMETERS		APPROVED	DATE
UNLESS OTHERWISE SPECIFIED TOLERANCES ANGLES = ±5° UP TO 6 = ±0.2 6-40 = ±0.4 40-120 = ±0.6 120-315 = ±1 ABOVE 315 = ±1.6		黃英哲	2017-02-06
		CHECKED	DATE
		DRAWN 吳碧珊	DATE 2017-01-19
THIRD_ANGLE $\frac{\text{A}}{\text{B}}$		FILE NO. D:\CAD\SVP56115112020086_SVP561PN-PR-5P_CA001A3	ERP LINK: 5112020086
SCALE	1.5/1		

日昇電子股份有限公司 SUN RISE EXACT INDUSTRIAL CO.		TITLE	
		5P CHASSIS XLR FEMALE CONNECTOR, PLASTIC (RIGHT-ANGLE PIN, WITH PUSH-BUTTON)	
PART NO. SVP561PN-PR-5P		REV. A3	