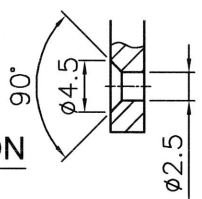
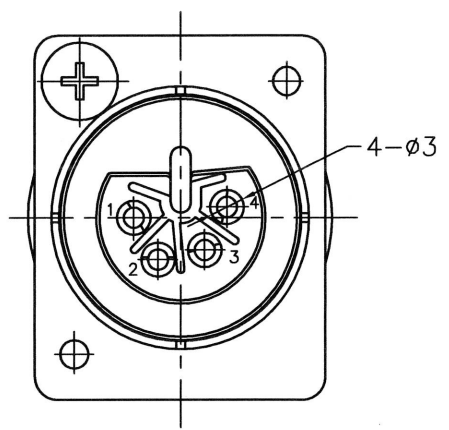
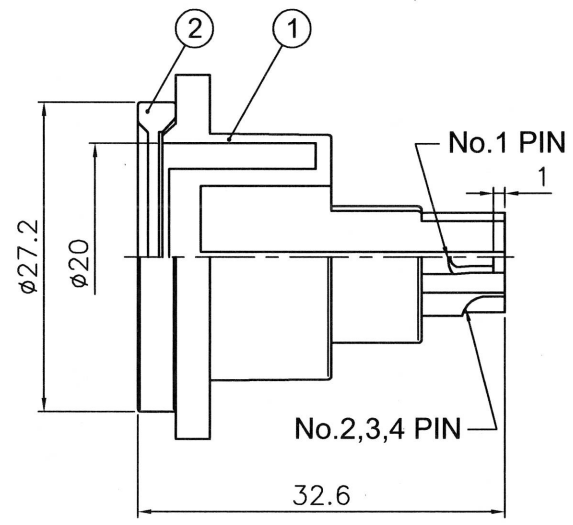
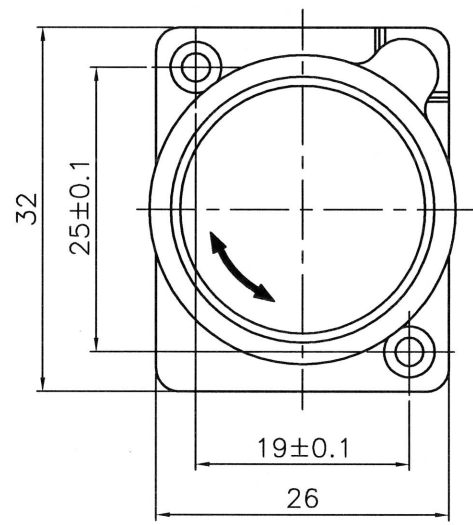
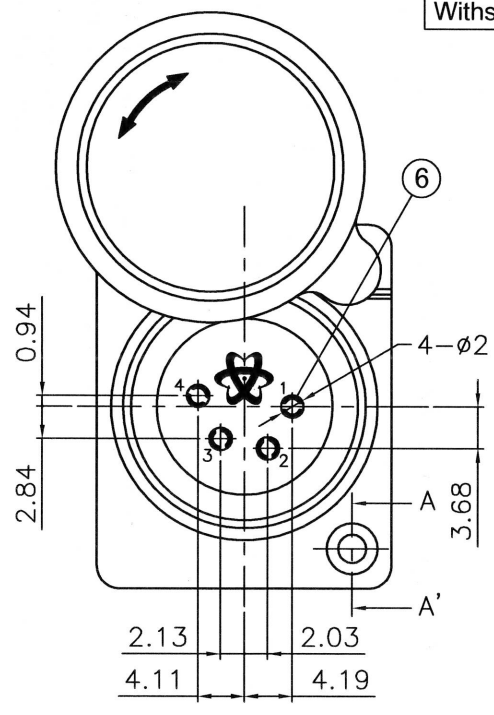


REVISIONS		
ISS	ZONE	DESCRIPTION\PER REQUEST\DATE
A2	ALL	更新圖框,新增孔位尺寸
V	OPEN	對客戶公開圖紙
	OPEN	對供應商公開圖紙
	CLOSED	僅限廠內使用

Electrical(電氣性能):	
Contact resistance (接觸電阻)	5mΩ max.
Insulator resistance (絕緣電阻)	1000MΩ min.
Current rating (耐電流)	4P/10A
Withstand voltage (耐電壓)	1500 VAC

台灣日昇電子股份有限公司
ISSUE APPROVED
 發行核可 本文件與審核紙本正本相符



Note(備註):
 1. Pin NO.1 solder side compare with other pin solder side has less than 1±0.15 (1號插針的焊杯端面比其他插針的焊杯端面低 1±0.15)

NO.	DESCRIPTION	MATERIAL	FINISH	Q'TY	DRAWING NO.
6	插孔 (FEMALE PIN)	H59-1	鍍銀 (SILVER)	4	3102020016
5	插針 (PIN)	H59-1	鍍銀 (SILVER)	4	3102010037
4	螺絲 (SCREW)	Q235	鍍鎳 (NICKEL)	1	3103040047
3	彈簧 (SPRING)	65Mn	鍍鎳 (NICKEL)	1	3103040048
2	防塵蓋 (DUST CAP)	PA	黑色 (BLACK)	1	4301090001
1	本體 (BODY)	PA	黑色 (BLACK)	1	4301030016

DIMENSIONS ARE IN MILLIMETERS		APPROVED	DATE
UNLESS OTHERWISE SPECIFIED TOLERANCES		莫英怡	2017-10-30
ANGLES = ±5°		CHECKED	DATE
UP TO 6 = ±0.2		吳碧珊	2017-10-26
6-40 = ±0.4		DRAWN	DATE
40-120 = ±0.6		FILE NO.	D:\CAD\ISVP56115112020094_
120-315 = ±1			SVP561P-W-CR-4P_CA001A2
ABOVE 315 = ±1.6		ERP LINK:	5112020094
THIRD_ANGLE		PART NO.	SVP561P-W-CR-4P
SCALE	1.5/1	REV.	A2

日昇電子股份有限公司
 SUN RISE EXACT INDUSTRIAL CO.

TITLE
4P COMBINED XLR FEMALE CONNECTOR WITH COVER, PLASTIC

F
E
D
C
B
A

F
E
D
C
B
A