

REVISIONS		
ISS	ZONE	DESCRIPTION\PER REQUEST\DATE
A8	A-3	更正產品零件品號
V	OPEN	對客戶公開圖紙
	OPEN	對供應商公開圖紙
	CLOSED	僅限廠內使用

Notes(備註):
 1. Current capability: 15A max. (carry only)
 (耐電流量: 最大15A)
 2. Mounting hole is $\varnothing 2.5$, recommended for M2.5 screws.
 (架設孔 $\varnothing 2.5$ 建議適用於M2.5螺絲)

台灣日昇電子股份有限公司
ISSUE APPROVED
 發行核可 本文件與審核
 紙本正本相符

F

E

D

C

B

A

F

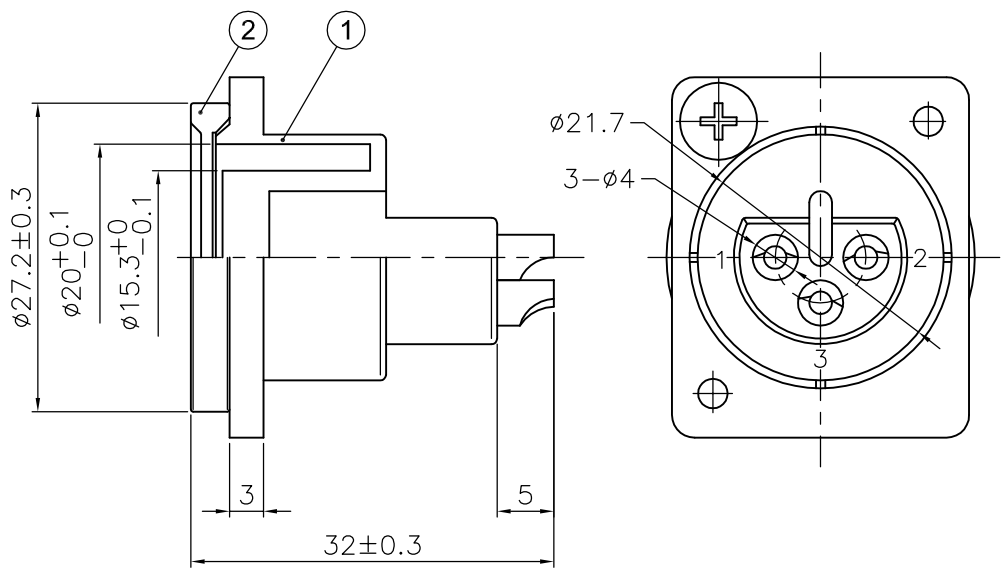
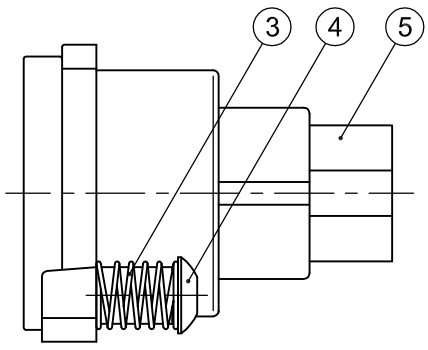
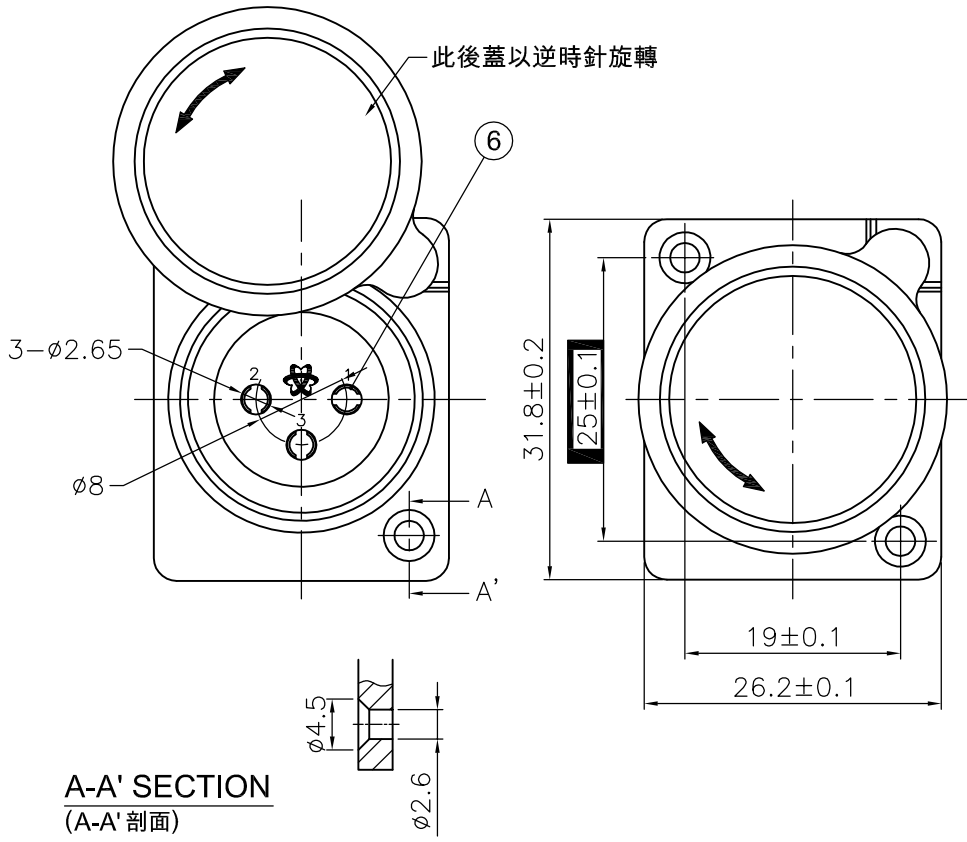
E

D

C

B

A



NO.	DESCRIPTION	MATERIAL	FINISH	Q'TY	DRAWING NO.
6	插孔(FEMALE PIN)	PHOSPHOR BRONZE	鍍銀(SILVER)	3	4401120172
5	插針(PIN)	H59-1	鍍銀(SILVER)	3	
4	螺絲(SCREW)	Q235	鍍鎳(NICKEL)	1	3103040164
3	彈簧(SPRING)	STAINLESS	鍍鎳(NICKEL)	1	3103040048
2	防塵蓋(DUST CAP)	PA	黑色(BLACK)	1	4301090001
1	本體(BODY)	PA	黑色(BLACK)	1	4301030003

DIMENSIONS ARE IN MILLIMETERS		APPROVED	DATE
UNLESS OTHERWISE SPECIFIED TOLERANCES		蘇碧珊	2020-04-27
ANGLES = $\pm 5^\circ$		CHECKED	DATE
UP TO 6 = ± 0.2		吳碧珊	2020-04-27
6-40 = ± 0.4		DRAWN	DATE
40-120 = ± 0.6		FILE NO. D:\CAD\SVP\5112020015_	
120-315 = ± 1		SVP561P-W-CR_CA001A8	
ABOVE 315 = ± 1.6		ERP LINK:	5112020015
THIRD_ANGLE	$\frac{\text{A}}{\text{B}}$		
SCALE	1.5/1		

日昇電子股份有限公司 SUN RISE EXACT INDUSTRIAL CO.		TITLE		
		3P CHASSIS XLR FEMALE CONNECTOR WITH COVER, PLASTIC		
PART NO.		SVP561P-W-CR	REV.	A8