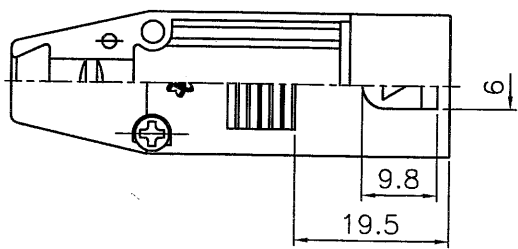
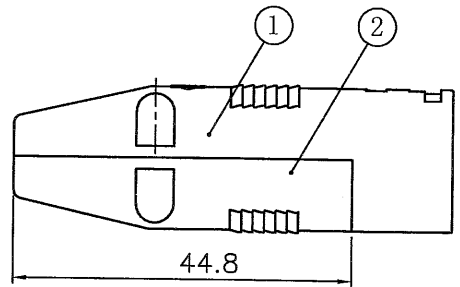
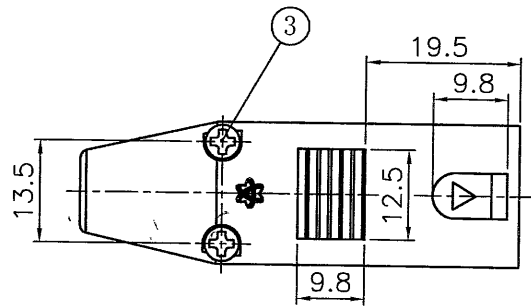
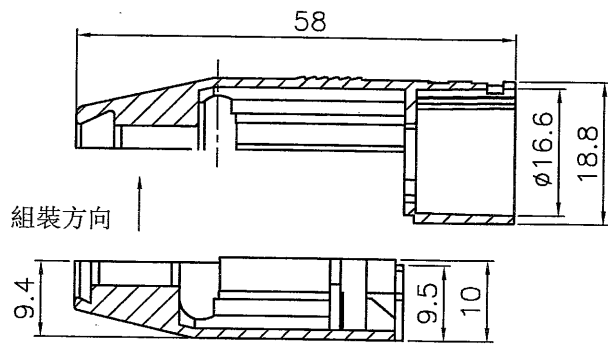
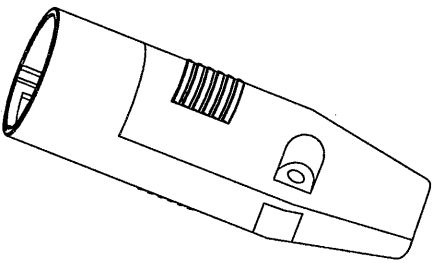
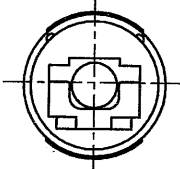


REVISIONS		
ISS	ZONE	DESCRIPTION\PER REQUEST\DATE
A2	D-6	增加備註
✓	OPEN	對客戶公開圖紙
	OPEN	對供應商公開圖紙
	CLOSED	僅限廠內使用

台灣日昇電子股份有限公司
ISSUE APPROVED
 發行核可 本文件與圖紙
 紙本正本相符



NOTE (備註):
 1 此產品將水晶頭組線後，須將PIN壓著後才可穿入



NO.	DESCRIPTION	MATERIAL	FINISH	Q'TY	DRAWING NO.
3	螺絲 (SCREW)	A3	鍍鎳 (NICKEL)	2	M2. 5X7. 5圓柱頭螺絲
2	鋅殼 (DIE-CAST SHELL)	ZZnAL4-1	鍍鎳 (NICKEL)	1	
1	鋅殼 (DIE-CAST SHELL)	ZZnAL4-1	鍍鎳 (NICKEL)	1	

DIMENSIONS ARE IN MILLIMETERS		APPROVED	DATE
UNLESS OTHERWISE SPECIFIED TOLERANCES		<i>[Signature]</i>	2011-11-04
ANGLES = ±5°		CHECKED	DATE
UP TO 6 = ±0.2		<i>[Signature]</i>	2011-11-04
6-40 = ±0.4		DRAWN	DATE
40-120 = ±0.6		<i>[Signature]</i>	2011-11-04
120-315 = ±1		FILE NO. D:\CAD\SVP其他系列2\	
ABOVE 315 = ±1.6		5113170001_SVP591_CA001A2	
THIRD_ANGLE		ERP LINK:	
SCALE	1/1	5113170001	

 日昇電子股份有限公司 SUN RISE EXACT INDUSTRIAL CO.	TITLE	RJ45COM
	PART NO.	SVP591
	REV.	A2