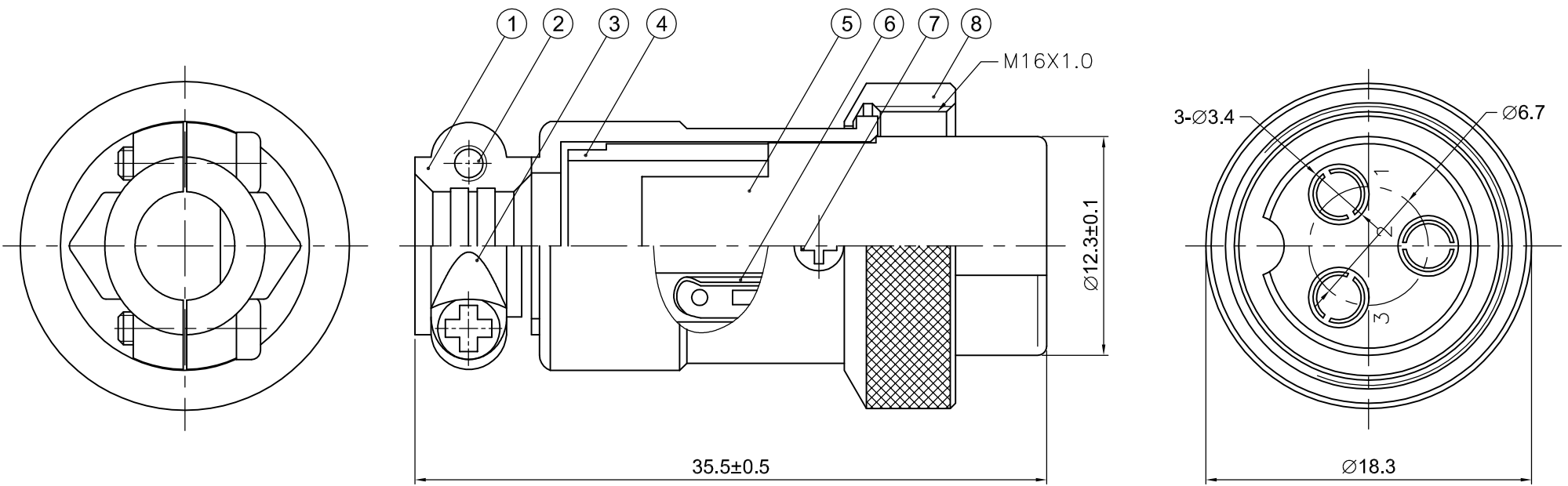


REVISIONS		
ISS	ZONE	DESCRIPTION\PER REQUEST\DATE
A6	A-1	35.5±0.2修改公差為±0.5
V	OPEN	對客戶公開圖紙
	OPEN	對供應商公開圖紙
	CLOSED	僅限廠內使用

Electrical(電氣性能):	
Contact resistance(接觸電阻)	10 mohms max.
Insulator resistance(絕緣電阻)	1000 mohms min.
Current rating(耐電流)	2-3P/7A
Voltage proof(耐電壓)	125 VAC

台灣日昇電子股份有限公司
ISSUE APPROVED
 發行核可 本文件與審核紙本正本相符



8	連接螺帽(NUT)	H59-1	鍍鎳(NICKEL)	1	1601140005
7	螺絲(SCREW)	A3	鍍鎳(NICKEL)	1	
6	插孔(FEMALE PIN)	PHOSPHOR BRONZE	鍍銀(SILVER)	3	
5	塑粒(INSULATOR)	BAKELITE	黑色(BLACK)	1	
4	塑套(PLASTIC COVER)	PP		1	
3	壓線蓋(CABLE CLAMP)	ZZnAl14-1	鍍鎳(NICKEL)	1	
2	螺絲(SCREW)	A3	鍍鎳(NICKEL)	2	
1	頭外殼(HOUSING)	ZZnAl14-1	鍍鎳(NICKEL)	1	
NO.	DESCRIPTION	MATERIAL	FINISH	Q'TY	DRAWING NO.

DIMENSIONS ARE IN MILLIMETERS		APPROVED <i>吳碧珊</i> DATE 2023-06-07
UNLESS OTHERWISE SPECIFIED TOLERANCES		CHECKED DATE
ANGLES = ±5°		DRAWN 吳碧珊 DATE 2023-06-06
UP TO 6 = ±0.2		FILE NO. D:\CAD\SVP564\5114060001_SVP564M-3P_CA001A6
6-40 = ±0.4		
40-120 = ±0.6		
120-315 = ±1		
ABOVE 315 = ±1.6		
THIRD_ANGLE		ERP LINK: 5114060001
SCALE	3/1	

日昇電子股份有限公司 SUN RISE EXACT INDUSTRIAL CO.	
TITLE 3PIN CIRCULAR MALE RECEPTACLE, M16mm	
PART NO. SVP564M-3P	REV. A6