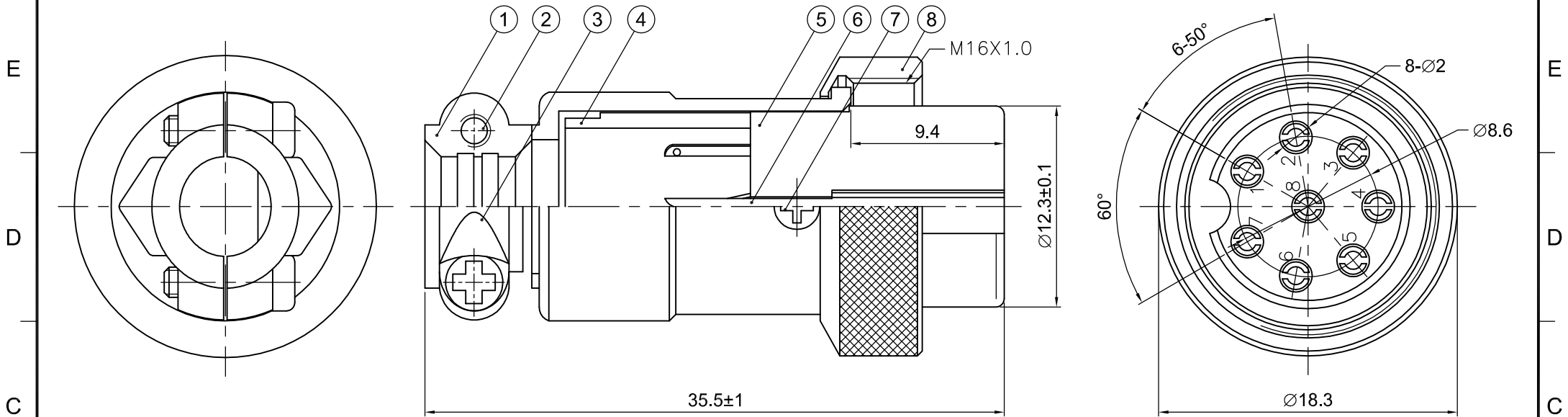


REVISIONS		
ISS	ZONE	DESCRIPTION\PER REQUEST\DATE
A5	C-4	尺寸35.5±0.2改為35.5±1,新增品名SVP564M-BK-8P
V	OPEN	對客戶公開圖紙
	OPEN	對供應商公開圖紙
	CLOSED	僅限廠內使用

Electrical(電氣性能):	
Contact resistance(接觸電阻)	10mΩ max.
Insulator resistance(絕緣電阻)	1000MΩ min.
Current rating(耐電流)	6-9P/4A
Withstand voltage(耐電壓)	1500 VAC

台灣日昇電子股份有限公司
ISSUE APPROVED
 發行核可 本文件與簽核紙本正本相符



ERP link(品號)	Part No.(品名)	No. 1, 2, 3, 8 plating (零件1, 2, 3, 8電鍍)	半成品品號
5114060013	SVP564M-8P	Nickel(鍍鎳)	1601140029
5114060112	SVP564M-BK-8P	Electrophoretic Black (電泳黑)	1601140219

NO.	DESCRIPTION	MATERIAL	FINISH	Q'TY	DRAWING NO.
8	連接螺帽(NUT)	H59-1	鍍鎳(NICKEL)	1	
7	螺絲(SCREW) #1-40UNCx3.5mm	A3	鍍鎳(NICKEL)	1	
6	插孔(FEMALE PIN)	PHOSPHOR BRONZE	鍍銀(SILVER)	8	
5	塑粒(INSULATOR)	BAKELITE	黑色(BLACK)	1	
4	塑套(PLASTIC COVER)	PP		1	
3	壓線蓋(CABLE CLAMP)	ZZnAL14-1	鍍鎳(NICKEL)	1	
2	螺絲(SCREW) M2x0.4x8mm	A3	鍍鎳(NICKEL)	2	
1	頭外殼(HOUSING)	ZZnAL14-1	鍍鎳(NICKEL)	1	

DIMENSIONS ARE IN MILLIMETERS		APPROVED	DATE
UNLESS OTHERWISE SPECIFIED TOLERANCES		黃碧珊	2024-01-16
ANGLES = ±5°		CHECKED	DATE
UP TO 6 = ±0.2		吳碧珊	2023-12-29
6-40 = ±0.4		DRAWN	DATE
40-120 = ±0.6		FILE NO. D:\CAD\I\SVP564\5114060013_	
120-315 = ±1		SVP564M-8P_CA001A5	
ABOVE 315 = ±1.6		ERP LINK:	5114060013
THIRD_ANGLE	⊕ ⊖	PART NO.	SVP564M-8P
SCALE	3/1	REV.	A5

SUNRISE 日昇電子股份有限公司
 SUN RISE EXACT INDUSTRIAL CO.

TITLE: CIRCULAR FEMALE RECEPTACLE, M16mm

PART NO. SVP564M-8P