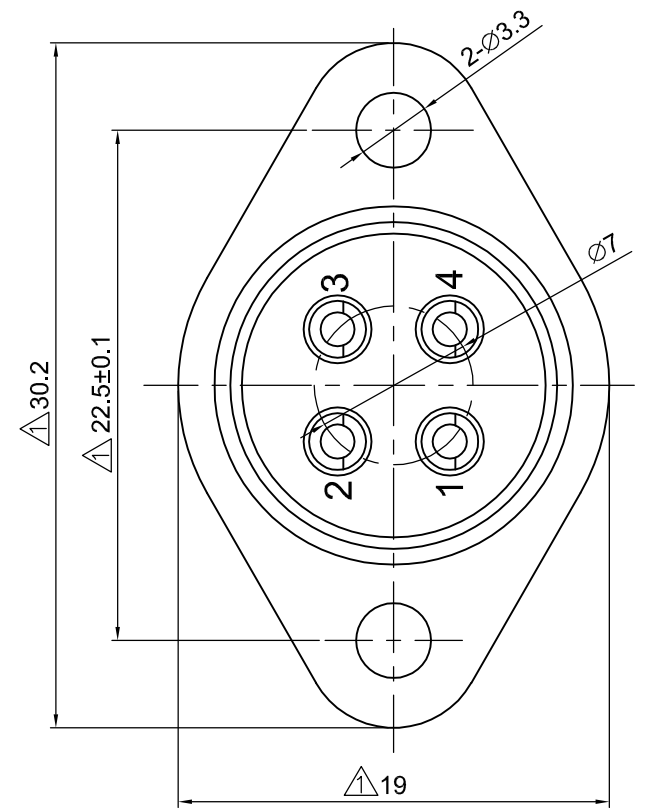
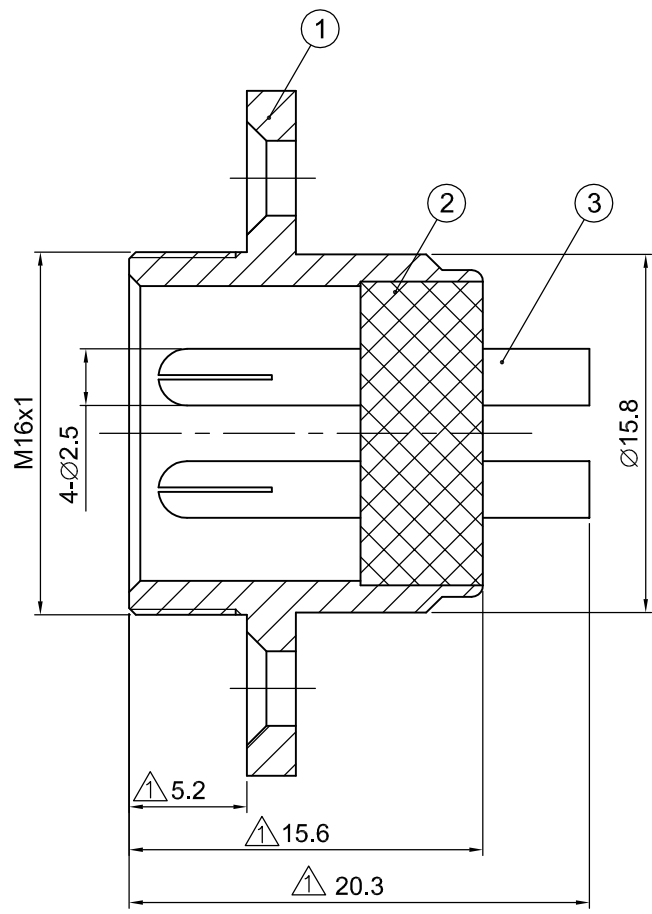


REVISIONS		
ISS	ZONE	DESCRIPTION\PER REQUEST\DATE
A2	ALL	更新圖框, 修改多處尺寸 Δ
	OPEN	對客戶公開圖紙
	OPEN	對供應商公開圖紙
	CLOSED	僅限廠內使用

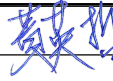
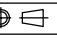



台灣日昇電子股份有限公司
ISSUE APPROVED
 發行核可
本文件與簽核紙正本相符

Electrical(電氣性能):	
Contact resistance(接觸電阻)	10 mohms max.
Insulator resistance(絕緣電阻)	1500 mohms min.
Current rating(耐電流)	3P/7A
Voltage proof(耐電壓)	1000AC.V

- Technique request(技術要求):
- Sleek in appearance, burr in periphery (外表光滑, 無毛邊)
 - It can match the female connector smoothly (與母頭配插順暢)
 - Thread screwed in smoothly (螺牙旋入順暢)
 - The body and the insulator assembly rivet fastening, can't loose. (本體與插針塑粒組合作件鉚合緊固, 不得鬆動)

NO.	DESCRIPTION	MATERIAL	FINISH	Q'TY	DRAWING NO.
3	插針(PIN)	H59-1	鍍鎳(NICKEL)	1	1601140024
2	塑粒(INSULATOR)	BAKELITE		1	
1	本體(BODY)	ZZnAl4-1	鍍鎳(NICKEL)	1	

DIMENSIONS ARE IN MILLIMETERS		APPROVED  DATE 2023-06-06
UNLESS OTHERWISE SPECIFIED TOLERANCES		CHECKED DATE
ANGLES = ±5°		DRAWN 吳碧珊 DATE 2023-06-06
UP TO 6 = ±0.2		FILE NO. D:\CAD\SVP564\5114070003_
6-40 = ±0.4		SVP564D-4P_CA001A2
40-120 = ±0.6		ERP LINK: 5114070003
120-315 = ±1		
ABOVE 315 = ±1.6		
THIRD_ANGLE		
SCALE	3/1	

 日昇電子股份有限公司 SUN RISE EXACT INDUSTRIAL CO.	
TITLE 4PIN CIRCULAR MALE RECEPTACLE, M16mm	
PART NO. SVP564D-4P	REV. A2