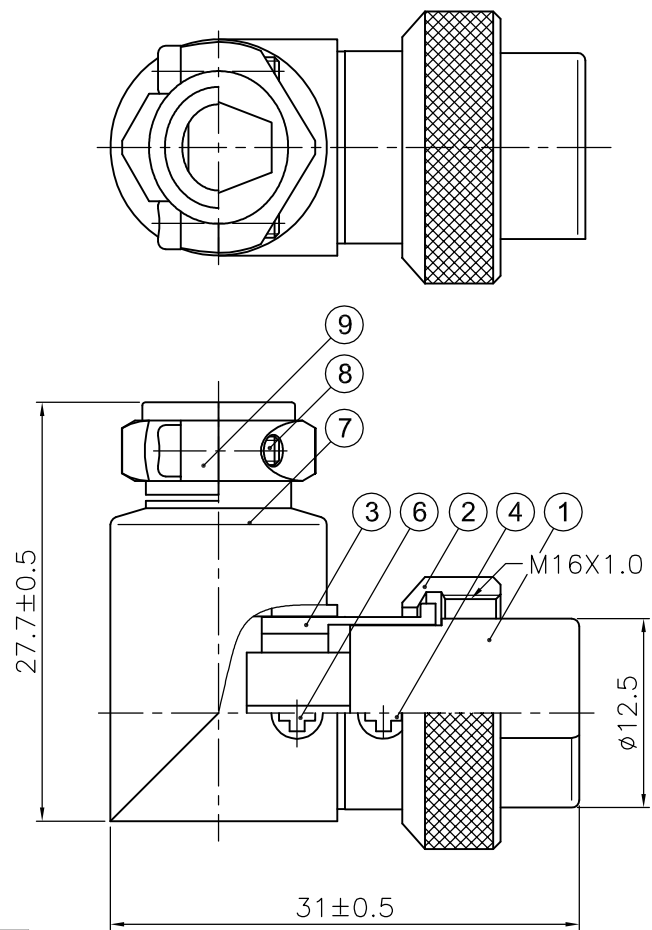


REVISIONS		
ISS	ZONE	DESCRIPTION\PER REQUEST\DATE
A2	B-4	30改為31±0.5, 其餘刪除非必要尺寸
V	OPEN	對客戶公開圖紙
	OPEN	對供應商公開圖紙
	CLOSED	僅限廠內使用

台灣日昇電子股份有限公司
ISSUE APPROVED
 發行核可 本文件與審核紙本正本相符



Electrical(電氣性能):	
Contact resistance(接觸電阻)	10 mohms max.
Insulator resistance(絕緣電阻)	1500 mohms min.
Current rating(耐電流)	2P/7A
Voltage proof(耐電壓)	125VAC

9	壓線蓋(CABLE CLAMP)	ZZnAl4-1	鍍鎳(NICKEL)	1	1601140216
8	螺絲M2x8(SCREW)	A3	鍍鎳(NICKEL)	2	
7	90°外殼(90°SHELL)	ZZnAl4-1	鍍鎳(NICKEL)	1	
6	螺絲(SCREW)	A3	鍍鎳(NICKEL)	1	
5	插針(FEMALE PIN)	PHOSPHOR BRONZE	鍍銀(SILVER)	2	
4	螺絲(SCREW)	A3	鍍鎳(NICKEL)	1	
3	鋅套(DIE-CAST TUBE)	ZZnAl4-1	鍍鎳(NICKEL)	1	
2	滾花螺母(KNURLED NUT)	ZZnAl4-1	鍍鎳(NICKEL)	1	
1	塑粒(INSULATOR)	BAKELITE	黑色(BLACK)	1	
NO.	DESCRIPTION	MATERIAL	FINISH	Q'TY	DRAWING NO.

DIMENSIONS ARE IN MILLIMETERS		APPROVED	DATE
UNLESS OTHERWISE SPECIFIED TOLERANCES		2023-06-07	
ANGLES = ±5°		CHECKED	DATE
UP TO 6 = ±0.2			
6-40 = ±0.4		DRAWN	DATE
40-120 = ±0.6			2023-06-06
120-315 = ±1		FILE NO. D:\CAD\SVP564M\5114060090_	
ABOVE 315 = ±1.6		SVP564M-R-3P\ICA001A2	
THIRD_ANGLE	☉ ☐	ERP LINK:	5114060090
SCALE	2/1		

	日昇電子股份有限公司	TITLE	2 PIN CIRCULAR FEMALE PLUG, RIGHT ANGLE TYPE, M16mm
	SUN RISE EXACT INDUSTRIAL CO.		
PART NO.	SVP564M-R-2P	REV.	A2