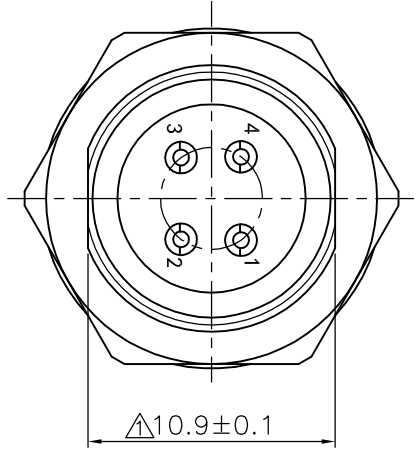
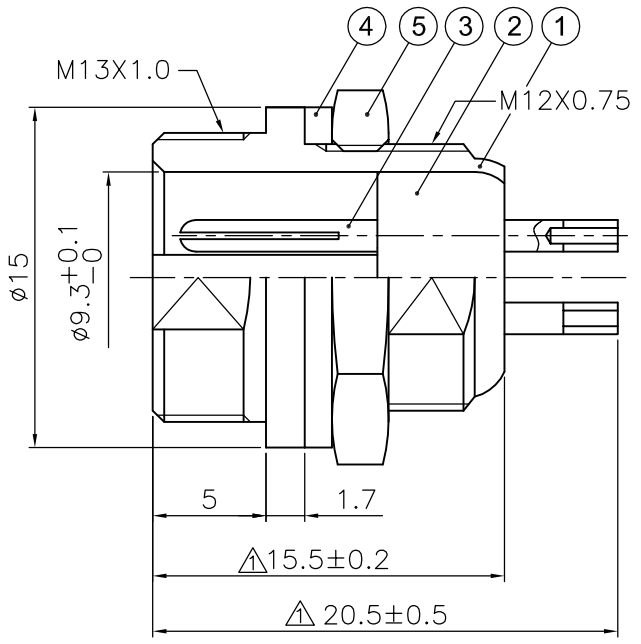
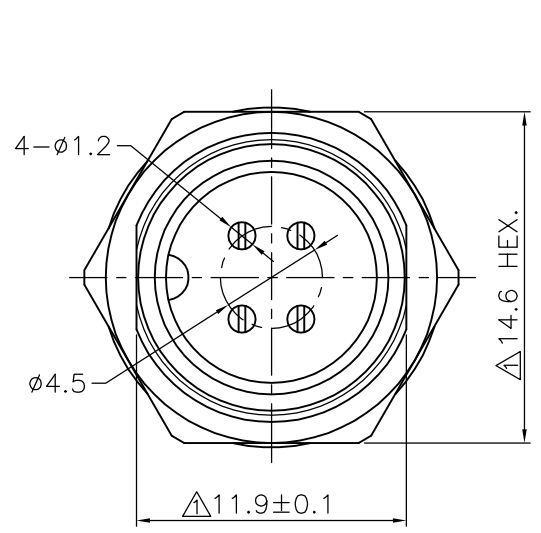


REVISIONS		
ISS	ZONE	DESCRIPTION\PER REQUEST\DATE
A2	ALL	更新圖框, 修改 Δ 多處尺寸, 增加10.9 \pm 0.1; 5; 1.7 修改品名
V	OPEN	對客戶公開圖紙
	OPEN	對供應商公開圖紙
	CLOSED	僅限廠內使用

Electrical(電氣性能):	
Contact resistance(接觸電阻)	10M Ω max.
Insulator resistance(絕緣電阻)	1500M Ω min.
Current rating(耐電流)	2~4P/5A
Voltage proof(耐電壓)	125 VAC

台灣日昇電子股份有限公司
ISSUE APPROVED
 發行核可 本文件與審核
 紙本正本相符



NO.	DESCRIPTION	MATERIAL	FINISH	Q'TY	DRAWING NO.
5	螺母(HEX. NUT)	H59-1	鍍鎳(NICKEL)	1	1601140146
4	墊圈(WASHER)	70#	鍍鎳(NICKEL)	1	
3	PIN(插針)	H59-1	鍍鎳(NICKEL)	4	
2	塑粒(INSULATOR)	BAKELITE	黑色(BLACK)	1	
1	本體(BODY)	ZZnAl4-0	鍍鎳(NICKEL)	1	

DIMENSIONS ARE IN MILLIMETERS		APPROVED <i>蘇其</i> DATE 2020-07-01
UNLESS OTHERWISE SPECIFIED TOLERANCES		CHECKED DATE
ANGLES = \pm 5'		DRAWN 吳碧珊 DATE 2020-07-01
UP TO 6 = \pm 0.2		
6-40 = \pm 0.4		FILE NO. D:\CADI\SVP564\5114010038_ SVP564A-12-4P-2C_CA001A2
40-120 = \pm 0.6		
120-315 = \pm 1		
ABOVE 315 = \pm 1.6		ERP LINK: 5114010038
THIRD_ANGLE	\oplus \ominus	
SCALE	3/1	

日昇電子股份有限公司 SUN RISE EXACT INDUSTRIAL CO.	
TITLE 4P CIRCULAR MALE RECEPTACLE, M12mm DOUBLE PLANE	
PART NO.	SVP564A-12-4P-2C
REV.	A2