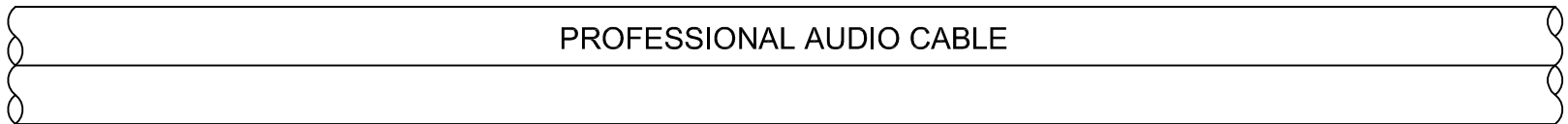


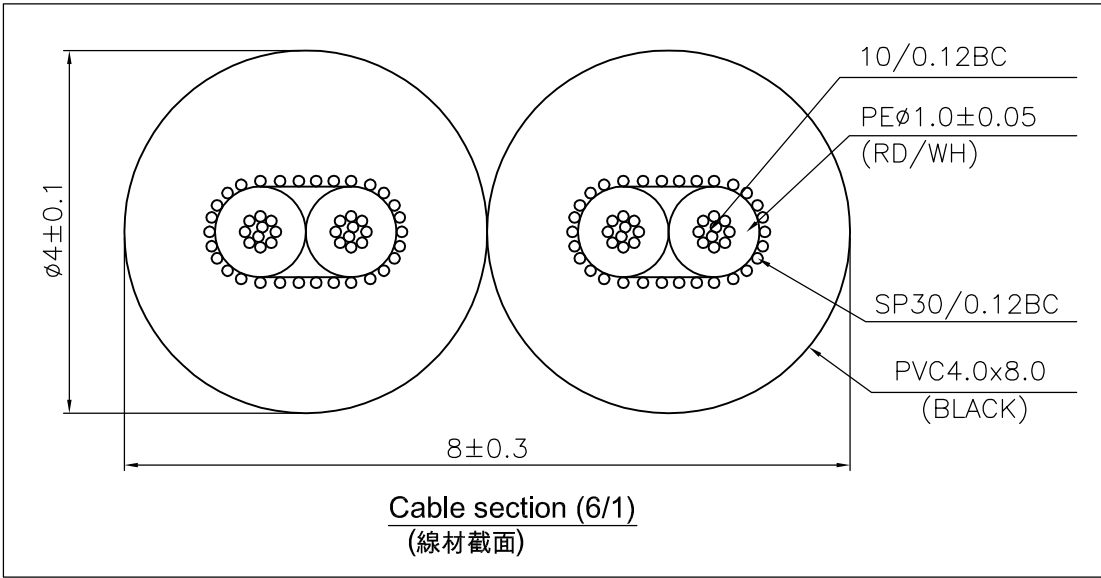
1 2 3 4 5 6 7 8

REVISIONS		
ISS	ZONE	DESCRIPTION\PER REQUEST\DATE
V	OPEN	對客戶公開圖紙
	OPEN	對供應商公開圖紙
	CLOSED	僅限廠內使用

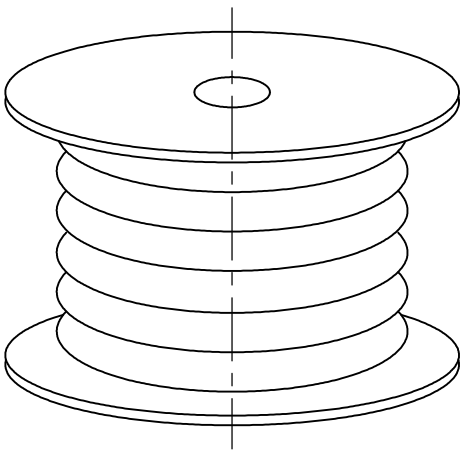
台灣日昇電子股份有限公司  
**ISSUE APPROVED**  
 發行核可 本文件與審核  
 紙本正本相符





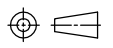
CABLE NO.: 3070200018-073-100M



PLASTIC SPOOL (膠軸)



100M / SPOOL

MATERIAL	APPROVED  DATE 2020-06-01	 <b>日昇電子股份有限公司</b> SUN RISE EXACT INDUSTRIAL CO.	3rd ANGLE PROJECTION	SCALE	2/1	TOLERANCE	$\pm$ 0.1
	CHECKED DATE			UNITS	mm	ANGLES	$\pm$ 5°
FINISH	DRAWN 吳碧珊 DATE 2020-05-22	PART NO. (雙併線) 4x8mm Twin pair microphone cable		REV. A1			
	FILE NO. D:\CAD\線材系列\5502010035_4x8mm Twin pair microphone cable_CA001A1 ERP LINK: 5502010035						

1 2 3 4 5 6 7 8

F  
E  
D  
C  
B  
A

F  
E  
D  
C  
B  
A