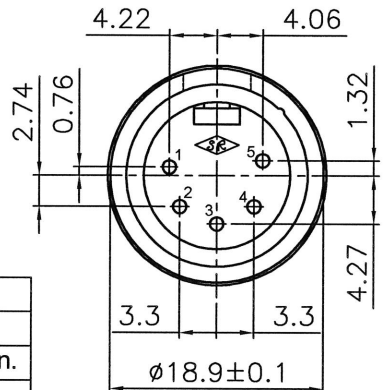


REVISIONS		
ISS	ZONE	DESCRIPTION\PER REQUEST\DATE
A2	E-7	M17x1.0改M17x1.2
V	OPEN	對客戶公開圖紙
	OPEN	對供應商公開圖紙
	CLOSED	僅限廠內使用

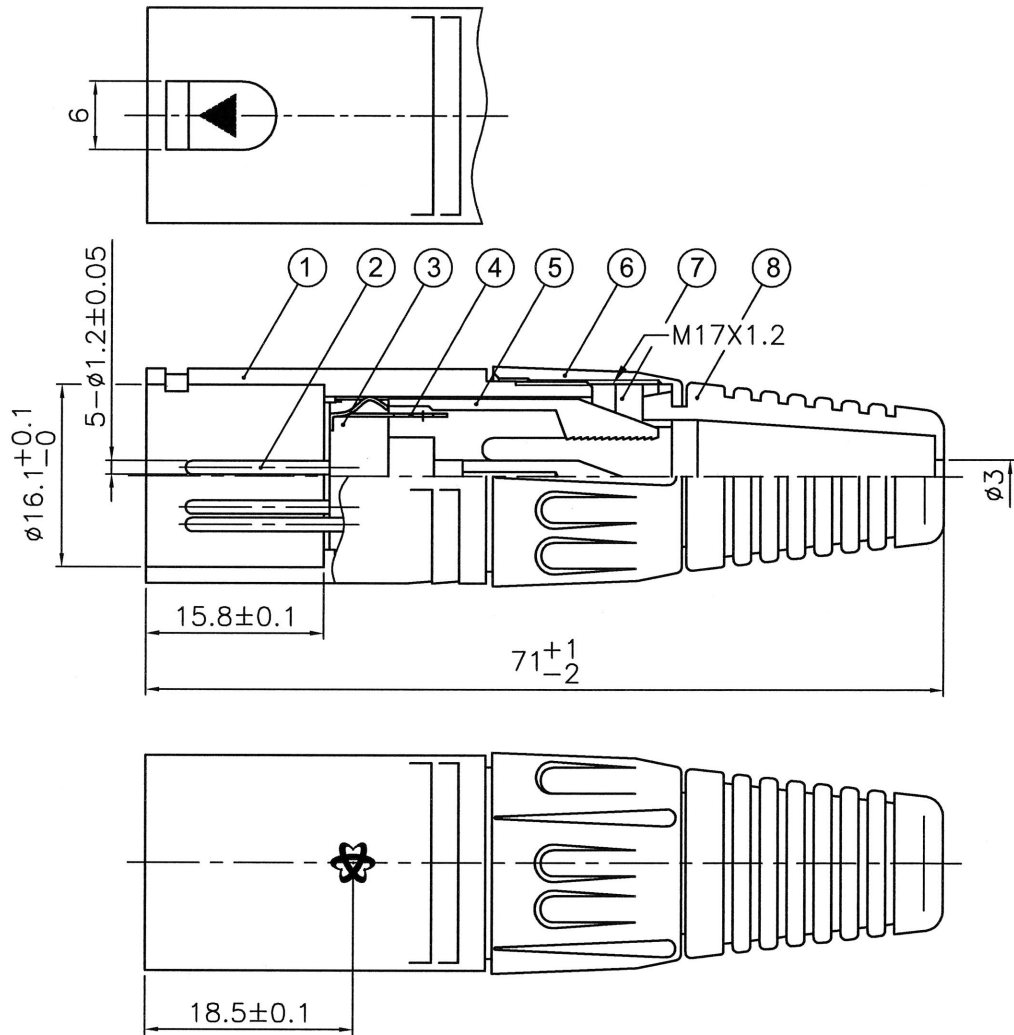
台灣日昇電子股份有限公司  
**ISSUE APPROVED**  
 發行核可 本文件與審核紙正本相符



Electrical(電氣性能):	
Contact resistance(接觸電阻)	7mΩ max.
Insulator resistance(絕緣電阻)	5000MΩ min.
Current rating(耐電流)	5&6P/7.5A
Withstand voltage(耐電壓)	1500 VAC

Notes(備註):

- Sleek in appearance, burr in periphery. (外表光滑,無毛邊)
- Thread screwed in smoothly. (螺牙旋入順暢)
- Insulator with a S.R logo (塑粒上有S.R商標)
- ★ Available for OD: 4mm ~ 7.2mm cable. (適用於4mm~7.2mm線徑)



NO.	DESCRIPTION	MATERIAL	FINISH	Q'TY	DRAWING NO.
8	尾套(BOOT)	PVC	黑色(BLACK)	1	
7	T型圈(T-RING)	POM	白色(WHITE)	1	4301050024
6	螺套(CAP)	ZZnAl4-0	鍍鎳(NICKEL)	1	
5	夾線爪(CHUCK)	POM	白色(WHITE)	1	4301070001
4	端子(TERMINAL)	H62	鍍錫(TIN)	1	
3	塑粒(INSULATOR)	PA	黑色(BLACK)	1	4401110198
2	插針(PIN)	H59-1	鍍銀(SILVER)	5	
1	鋅殼(DIE-CAST SHELL)	ZZnAl4-0	鍍鎳(NICKEL)	1	3103040056

DIMENSIONS ARE IN MILLIMETERS		APPROVED	DATE
UNLESS OTHERWISE SPECIFIED TOLERANCES		黃英珍	2017-01-05
ANGLES = ±5°		CHECKED	DATE
UP TO 6 = ±0.2		吳碧珊	2017-01-04
6-40 = ±0.4		DRAWN	DATE
40-120 = ±0.6		FILE NO. D:\CAD\SV\P555\5111070379_	
120-315 = ±1		SVP555S-M-3-5P_CA001A2	
ABOVE 315 = ±1.6		ERP LINK:	5111070379
THIRD_ANGLE	☉ ☽	PART NO.	SVP555S-M-3-5P
SCALE	1.5/1	REV.	A2

**SUNRISE** 日昇電子股份有限公司  
 SUN RISE EXACT INDUSTRIAL CO.

TITLE: 5PIN XLR MALE MIC CONNECTOR, WITH METAL CAP

PART NO. SVP555S-M-3-5P