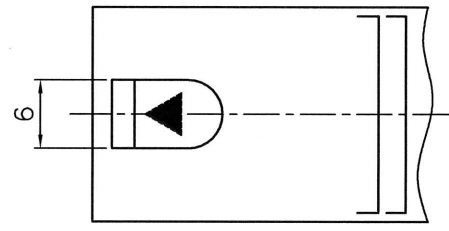
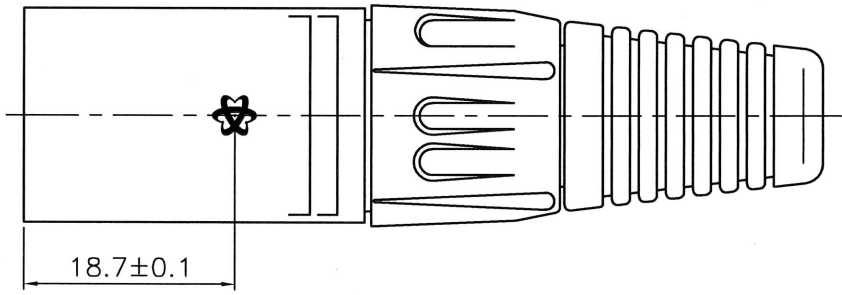
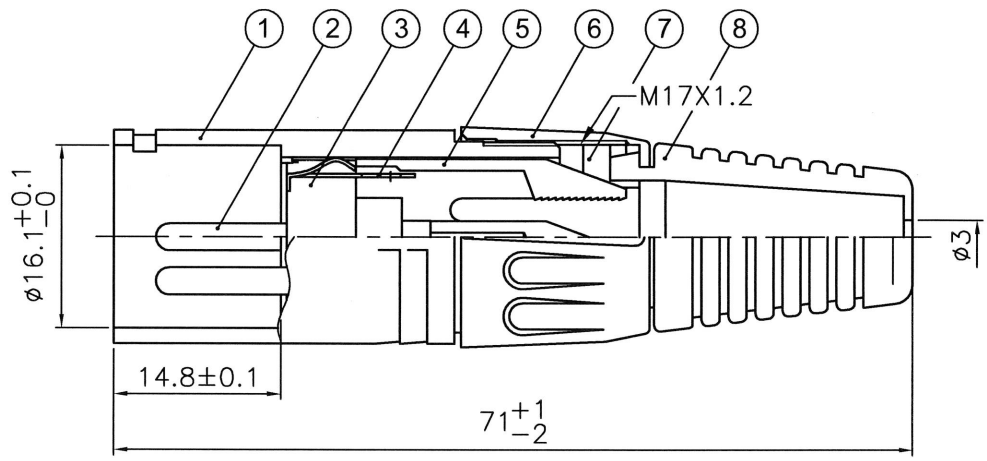
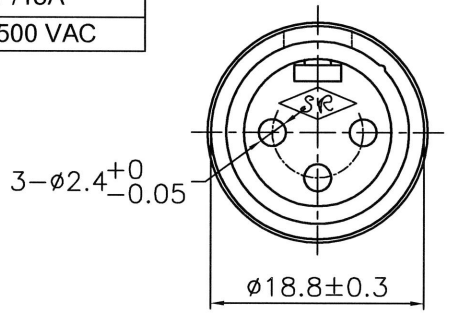


REVISIONS		
ISS	ZONE	DESCRIPTION\PER REQUEST\DATE
A3	ALL	更新圖框,新增備註
F	V	對客戶公開圖紙
	OPEN	對供應商公開圖紙
	CLOSED	僅限廠內使用



台灣日昇電子股份有限公司  
**ISSUE APPROVED**  
 發行核可 本文件與簽核紙本正本相符

Electrical(電氣性能):	
Contact resistance(接觸電阻)	3mΩ max.
Insulator resistance(絕緣電阻)	5000MΩ min.
Current rating(耐電流)	3P/15A
Withstand voltage(耐電壓)	1500 VAC



Notes(備註):

- Sleek in appearance, burr in periphery. (外表光滑,無毛邊)
- Thread screwed in smoothly. (螺牙旋入順暢)
- Insulator with a S.R logo (塑粒上有S.R商標)
- ★4. Available for OD: 4mm ~ 7.2mm cable. (適用於4mm~7.2mm線徑)

8	尾套(BOOT)	PVC	黑色(BLACK)	1	
7	T型圈(T-RING)	POM	白色(WHITE)	1	4301050024
6	螺套(CAP)	ZZnAl4-0	鍍鎳(NICKEL)	1	
5	夾線爪(CHUCK)	POM	白色(WHITE)	1	4301070001
4	端子(TERMINAL)	H62	鍍錫(TIN)	1	
3	塑粒(INSULATOR)	PA	黑色(BLACK)	1	4401110120
2	插針(PIN)	H59-1	鍍銀(SILVER)	5	(SVP555S-0-SR)
1	鋅殼(DIE-CAST SHELL)	ZZnAl4-0	鍍鎳(NICKEL)	1	3103040056
NO.	DESCRIPTION	MATERIAL	FINISH	Q'TY	DRAWING NO.

DIMENSIONS ARE IN MILLIMETERS  
 UNLESS OTHERWISE SPECIFIED  
 TOLERANCES  
 ANGLES = ±5°  
 UP TO 6 = ±0.2  
 6-40 = ±0.4  
 40-120 = ±0.6  
 120-315 = ±1  
 ABOVE 315 = ±1.6

APPROVED	DATE	2017-03-03
CHECKED	DATE	
DRAWN 吳碧珊	DATE	2016-12-30
FILE NO. D:\CAD\ISVP555\511070134_		
SVP555S-M-3_CA001A3		
ERP LINK:	5111070134	

日昇電子股份有限公司 SUN RISE EXACT INDUSTRIAL CO.	
TITLE	
3P XLR MIC MALE CONNECTOR, WITH METAL CAP	
PART NO.	SVP555S-M-3
REV.	A3