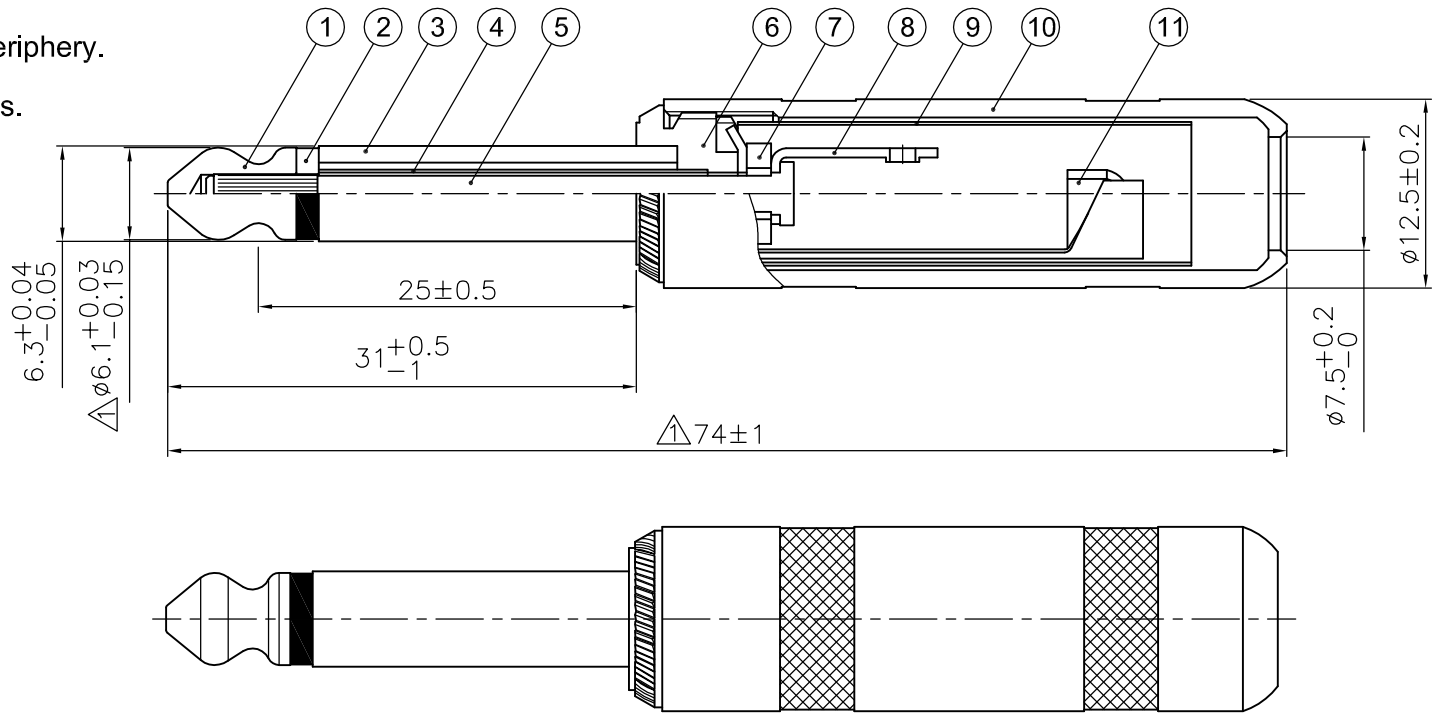


REVISIONS		
ISS	ZONE	DESCRIPTION\PER REQUEST\DATE
A4	D-3	修改多處尺寸△
V	OPEN	對客戶公開圖紙
	OPEN	對供應商公開圖紙
	CLOSED	僅限廠內使用

台灣日昇電子股份有限公司
ISSUE APPROVED
 發行核可 本文件與審核紙本正本相符

Technique requests(技術要求):
 1. Sleek in appearance, burr in periphery.
 (外表光滑, 無毛邊)
 2. The tip is not allowed looseness.
 (珠頭不可鬆動)
 3. Thread screwed in smoothly.
 (螺牙旋入順暢)



11	S端子(S-TERMINAL)	H62	鍍錫(TIN)	1	3105010017
10	鋅殼(DIE-CAST SHELL)	ZZnAl4-0	鍍鎳(NICKEL)	1	3103040128
9	塑料套□9.5X30 (PLASTIC TUBE)	P.P.		1	1210020049
8	T端子(T-TERMINAL)	H62	鍍錫(TIN)	1	3105010018
7	電木(BAKELITE)	BAKELITE		1	1307010009
6	鋅座(DIE-CAST BASE)	ZZnAl4-0	鍍鎳(NICKEL)	1	3103050009
5	鐵釘(BOLT)	A3	鍍鋅(ZINC)	1	1409010002
4	塑管(PLASTIC TUBE)	P.P.		1	4301120043
3	銅管(SLEEVE)	H59-1	鍍鎳(NICKEL)	1	3103040031
2	電木(BAKELITE)	BAKELITE	白色(WHITE)	1	1307010014
1	珠頭(TIP)	H59-1	鍍鎳(NICKEL)	1	3103040020
NO.	DESCRIPTION	MATERIAL	FINISH	Q'TY	DRAWING NO.

Note(備註):
 1. Without any logo on S-terminal.
 (S端子沒有任何標誌)

DIMENSIONS ARE IN MILLIMETERS		APPROVED 黃英杰 DATE 2021-12-02
UNLESS OTHERWISE SPECIFIED TOLERANCES		CHECKED DATE
ANGLES = ±5°		DRAWN 吳碧珊 DATE 2021-12-02
UP TO 6 = ±0.2		FILE NO. D:\CAD\SP102\5102010009_SP102H-Z_CA001A4
6-40 = ±0.4		ERP LINK: 5102010009
40-120 = ±0.6		
120-315 = ±1		
ABOVE 315 = ±1.6		
THIRD_ANGLE	⊕ ⊖	
SCALE	2/1	

	日昇電子股份有限公司 SUN RISE EXACT INDUSTRIAL CO.
	TITLE 6.3mm MONO PLUG, ZINC DIE-CAST SHELL OD.: 7.5mm
PART NO. SP102H-Z	REV. A4