

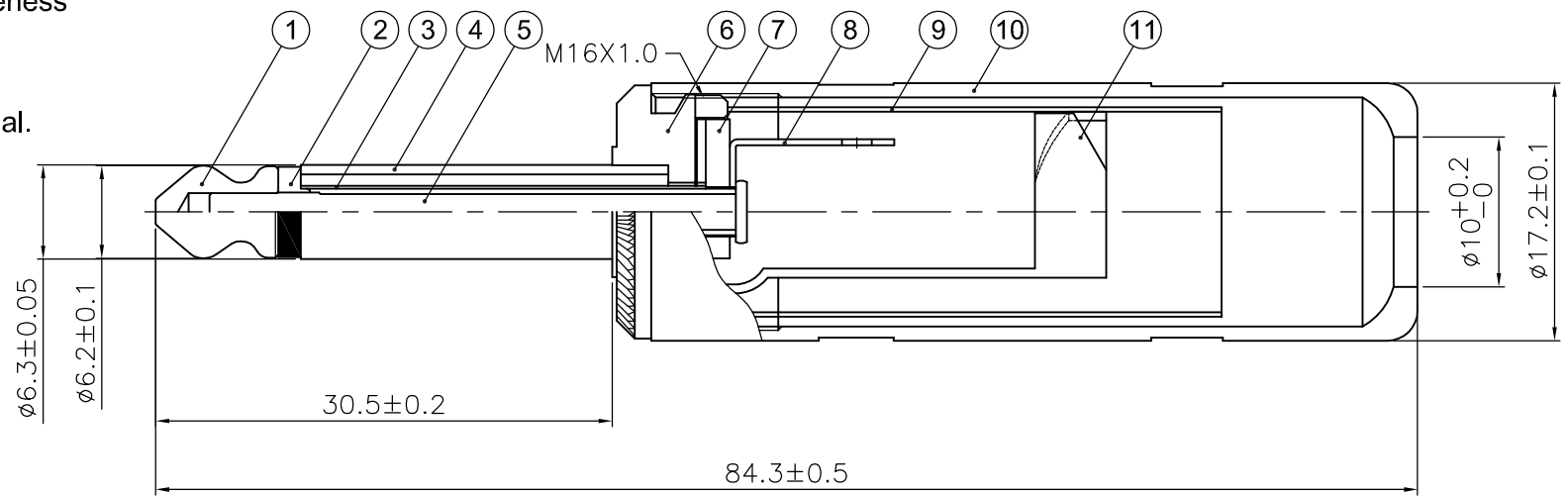
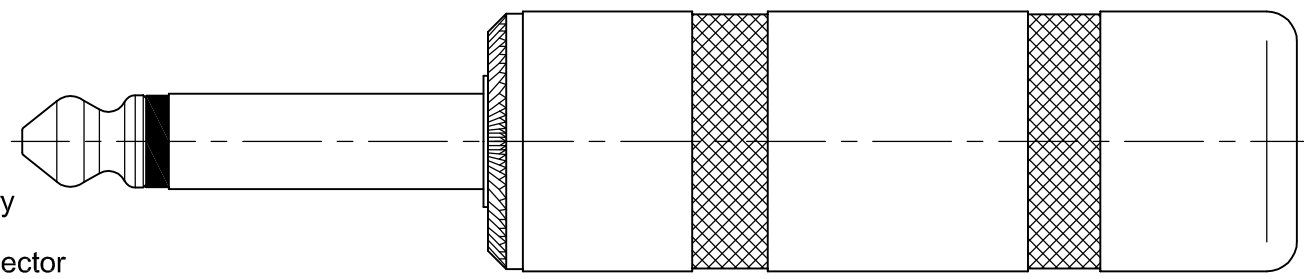
REVISIONS		
ISS	ZONE	DESCRIPTION\PER REQUEST\DATE
A2	ALL	更新圖框,增加備註,修正全部尺寸
V	OPEN	對客戶公開圖紙
	OPEN	對供應商公開圖紙
	CLOSED	僅限廠內使用

Technique requests (技術要求):

1. Sleek in appearance, burr in periphery (外表光滑, 無毛邊)
2. It can match the female chassis connector (與母座配插順暢)
3. Thread screwed in smoothly (螺牙旋入順暢)
4. The tip is not allowed looseness (珠頭不可鬆動)

Note(備註):

1. Without any logo on terminal. (端子上沒有任何標誌)



台灣日昇電子股份有限公司
ISSUE APPROVED
 發行核可
本文件與簽核紙正本相符

11	T端子(T-TERMINAL)	H62	鍍銀(SILVER)	1	1601020109
10	鋅殼(DIE-CAST SHELL)	ZZnAL4-0	鍍鎳(NICKEL)	1	
9	塑料套(PLASTIC TUBE)	P.P.	NATURAL	1	
8	S端子(S-TERMINAL)	H62	鍍銀(SILVER)	1	
7	塑粒(INSULATOR)	BAKELITE	NATURAL	1	
6	鋅座(DIE-CAST BASE)	ZZnAL4-0	鍍鎳(NICKEL)	1	
5	鐵釘(BOLT)	A3	鍍鎳(NICKEL)	1	
4	銅管(SLEEVE)	H59-1	鍍鎳(NICKEL)	1	
3	銅管(SLEEVE)	H59-1	NATURAL	1	
2	塑粒(INSULATOR)	BAKELITE	白色(WHITE)	1	
1	珠頭(TIP)	H59-1	鍍鎳(NICKEL)	1	
NO.	DESCRIPTION	MATERIAL	FINISH	Q'TY	DRAWING NO.

DIMENSIONS ARE IN MILLIMETERS		APPROVED <i>蘇碧珊</i> DATE 2021-05-31
UNLESS OTHERWISE SPECIFIED TOLERANCES		CHECKED DATE
ANGLES = ±5°		DRAWN 吳碧珊 DATE 2021-05-31
UP TO 6 = ±0.2		
6-40 = ±0.4		
40-120 = ±0.6		
120-315 = ±1		
ABOVE 315 = ±1.6		FILE NO. D:\CAD\SP102\5102010249_SP102H-L-Z_CA001A2
THIRD_ANGLE	$\oplus \ominus$	ERP LINK: 5102010249
SCALE	2/1	

日昇電子股份有限公司 SUN RISE EXACT INDUSTRIAL CO.	
TITLE 6.3mm MONO PLUG, JUMBO PLUG ZINC DIE-CAST SHELL, OD.:10mm	
PART NO. SP102H-L-Z	REV. A2