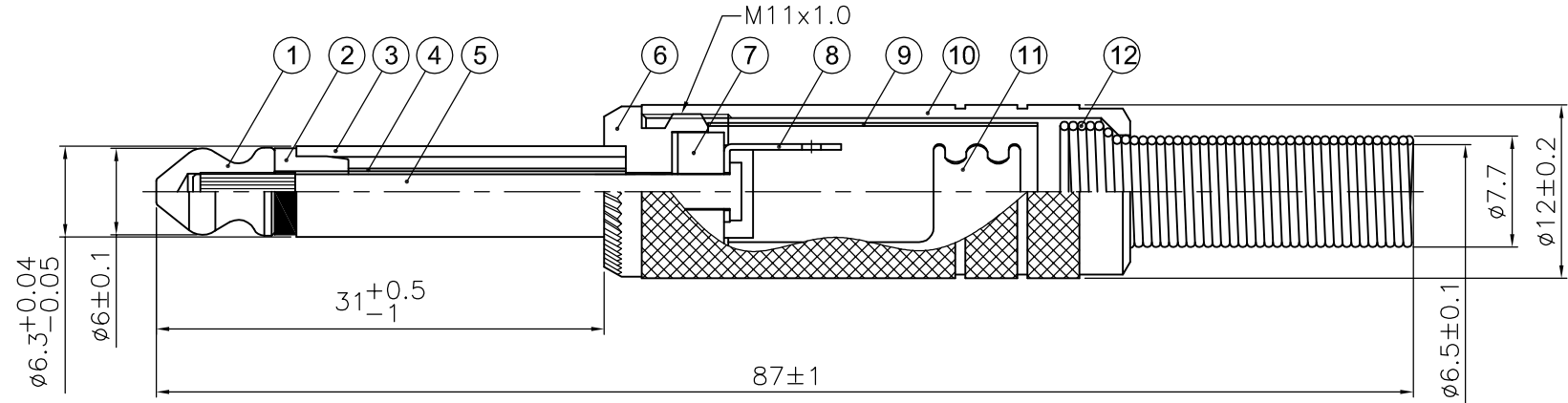


REVISIONS		
ISS	ZONE	DESCRIPTION\PER REQUEST\DATE
A5	B-4	用表格整合品名,零件6改鍍座
V	OPEN	對客戶公開圖紙
	OPEN	對供應商公開圖紙
	CLOSED	僅限廠內使用

Technique requests (技術要求):
 1. Sleek in appearance, burr in periphery.
 (外表光滑,無毛邊)
 2. The tip is not allowed looseness.
 (珠頭不可鬆動)
 3. Thread screwed in smoothly.
 (螺牙旋入順暢)

台灣日昇電子股份有限公司
ISSUE APPROVED
 發行核可
本文件與審核紙本正本相符



ERP link (品號)	Part No. (品名)	Overall plated (整體電鍍)	Terminal plated (端子電鍍)	半成品品號
5102010122	SP102-1-F-Z	Nickel (鍍鎳)	Silver (鍍銀)	1601020076
5102010225	SP102-1-F-Z-SR0			
5102010028	SP102-1-F-Z-PG	Head part gold plated, rest nickel plated (頭段鍍金,其餘鍍鎳)	Silver (鍍銀)	1601020050
5102010129	SP102G-Z	Gold (鍍金)	Gold (鍍金)	1601020043

品名-SR0為外銷自動包裝機包裝袋

NO.	DESCRIPTION	MATERIAL	FINISH	Q'TY	DRAWING NO.
12	彈簧 (SPRING)	65Mn	鍍鎳 (NICKEL)	1	1601020076
11	S端子 (S-TERMINAL)	H62	鍍銀 (SILVER)	1	
10	鋅殼 (DIE-CAST SHELL)	ZZnAl4-0	鍍鎳 (NICKEL)	1	
9	塑料套 Ø9.5X23 (PLASTIC TUBE)	P.P.		1	
8	T端子 (T-TERMINAL)	H62	鍍銀 (SILVER)	1	
7	塑粒 (INSULATOR)	ABS	藍色 (BLUE)	1	
6	鋅座 (DIE-CAST BASE)	ZZnAL4-1	鍍鎳 (NICKEL)	1	
5	鐵釘 (BOLT)	A3	鍍鋅 (ZINC)	1	
4	塑管 (PLASTIC TUBE)	P.P.		1	
3	銅管 (SLEEVE)	H62	鍍鎳 (NICKEL)	1	
2	塑粒 (INSULATOR)	PA66	黑色 (BLACK)	1	
1	珠頭 (TIP)	H59-1	鍍鎳 (NICKEL)	1	

DIMENSIONS ARE IN MILLIMETERS UNLESS OTHERWISE SPECIFIED TOLERANCES ANGLES = ±5° UP TO 6 = ±0.2 6-40 = ±0.4 40-120 = ±0.6 120-315 = ±1 ABOVE 315 = ±1.6	APPROVED	DATE 2023-05-15	日昇電子股份有限公司 SUN RISE EXACT INDUSTRIAL CO.	TITLE 6.3mm MONO PLUG W/SHIELED HANDLE, OD:6mm	
	CHECKED	DATE			
	DRAWN 吳碧珊	DATE 2023-05-15			
THIRD_ANGLE	ERP LINK: 5102010122	PART NO. SP102-1-F-Z	REV. A5		