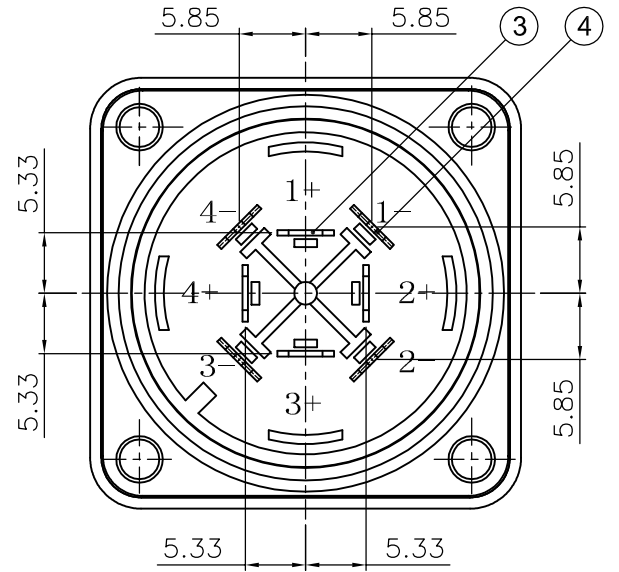
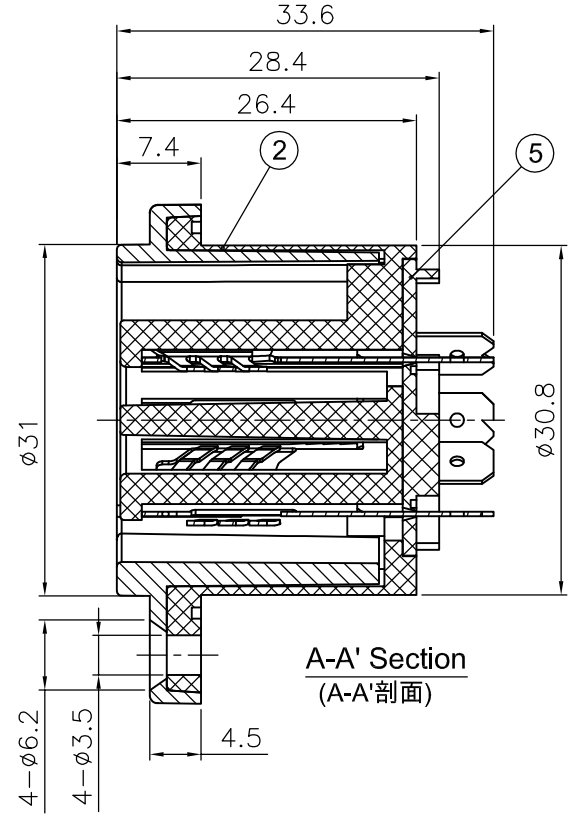
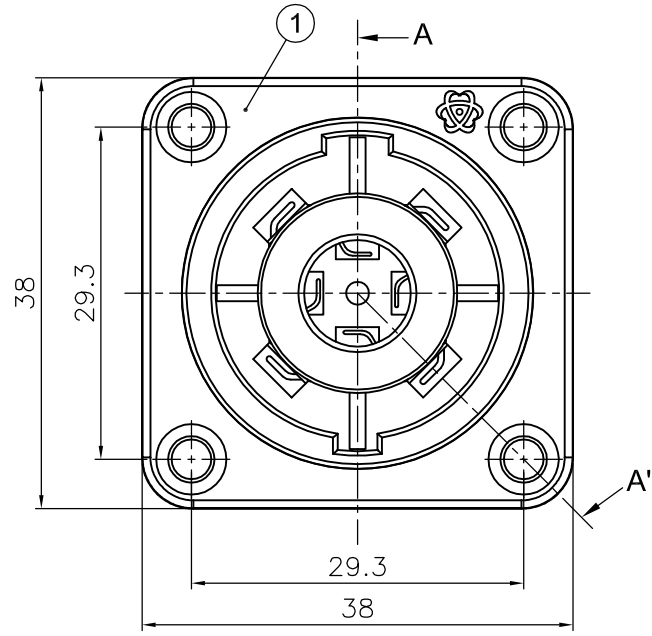


1 2 3 4 5 6 7 8

REVISIONS		
ISS	ZONE	DESCRIPTION\PER REQUEST\DATE
A3	B-7	刪除多餘尺寸,修改品名,新增SVP563L-Z-8P-SR0
	OPEN	對客戶公開圖紙
	OPEN	對供應商公開圖紙
	CLOSED	僅限廠內使用

台灣日昇電子股份有限公司
ISSUE APPROVED
 發行核可 本文件與簽核紙本正本相符

F
E
D
C
B
A



ERP link(品號)	Part No.(品名)
5115020045	SVP563L-Z-8P
5115020096	SVP563L-Z-8P-SR0

品名-SR0為外銷自動包裝機包裝袋

NO.	DESCRIPTION	MATERIAL	FINISH	Q'TY	DRAWING NO.
5	後蓋(BACK COVER)	PA	黑色(BLACK)	1	
4	插針缺口(PIN) (1-,2-,3-,4-)	PHOSPHOR BRONZE	鍍金(GOLD)	4	
3	插針平口(PIN) (1+,2+,3+,4+)	PHOSPHOR BRONZE	鍍金(GOLD)	4	
2	塑本體 (PLASTIC SHELL)	PA	黑色(BLACK)	1	
1	鋅殼 (DIE-CAST SHELL)	ZZnAl4-0	鍍鎳(NICKEL)	1	

DIMENSIONS ARE IN MILLIMETERS
 UNLESS OTHERWISE SPECIFIED
 TOLERANCES
 ANGLES = ±5°
 UP TO 6 = ±0.2
 6-40 = ±0.4
 40-120 = ±0.6
 120-315 = ±1
 ABOVE 315 = ±1.6
 THIRD_ANGLE $\frac{1}{2}$
 SCALE 1.5/1

APPROVED *蘇碧珊* DATE 2021-12-24
 CHECKED DATE
 DRAWN 吳碧珊 DATE 2021-12-22
 FILE NO. D:\CAD\SVP其他系列2\5115020045_
 SVP563L-Z-8P_CA001A3
 ERP LINK: 5115020045

SUNRISE 日昇電子股份有限公司
 SUN RISE EXACT INDUSTRIAL CO.

TITLE: 8PIN MALE PANEL MOUNT SPEAKER CONNECTOR W/ZINC SHELL

PART NO. SVP563L-Z-8P REV. A3

F
E
D
C
B
A

1 2 3 4 5 6 7 8