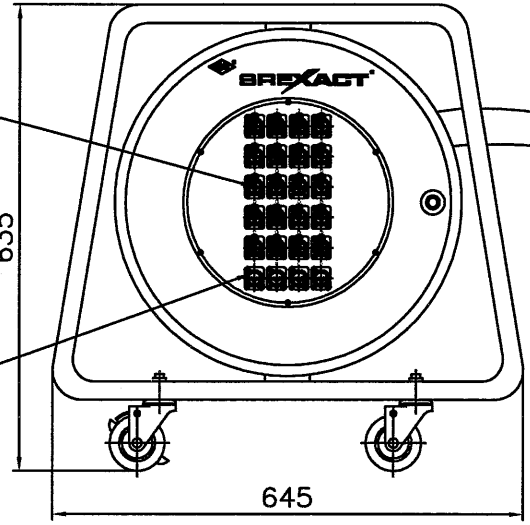


REVISIONS		
ISS	ZONE	DESCRIPTION\PER REQUEST\DATE
V	OPEN	對客戶公開圖紙
	OPEN	對供應商公開圖紙
	CLOSED	僅限廠內使用

SREXACT Professional Multipair Snake Cable 24 Pair

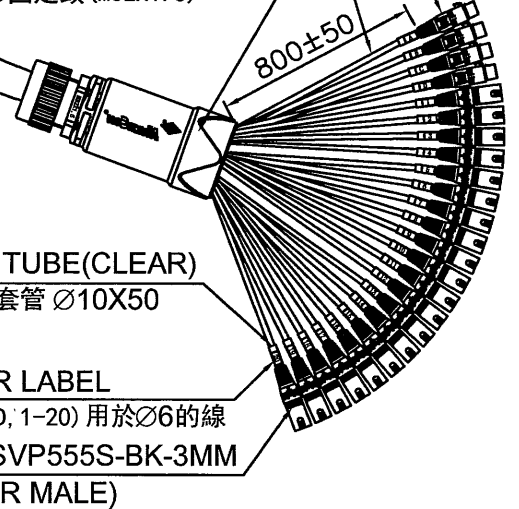
台灣日昇電子股份有限公司
ISSUE APPROVED
 發行核可 本文件與審核紙本正本相符

- (1~20) 20-SVP561N
(XLR MOUNT FEMALE)
附1CE0032
(RUBBER COVER)
- (A~D) 4-SVP555A-N
(XLR MOUNT MALE)
附1CE0031
(RUBBER COVER)



BLUE PVC, OD=22
L=50M

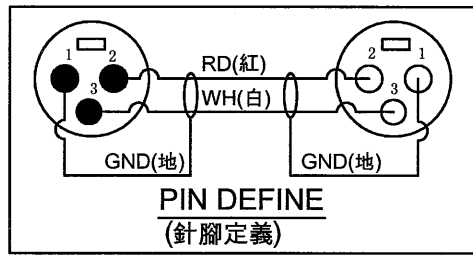
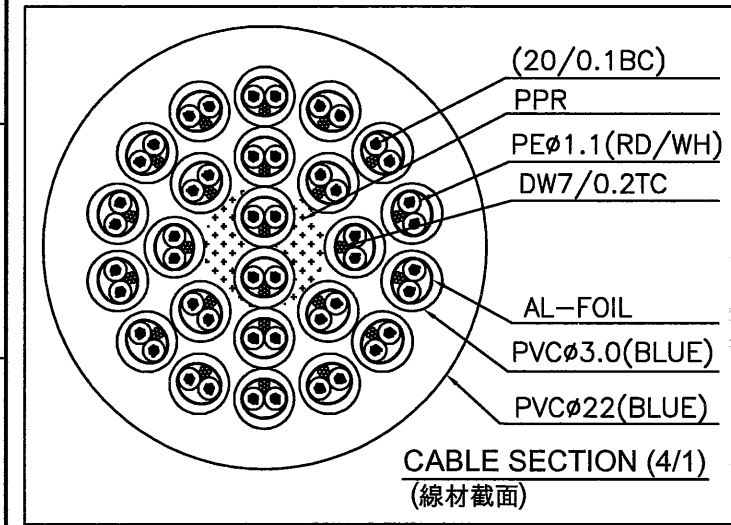
(A-D) 4-SVP556S-BK-3MM
(XLR FEMALE)
用Ø4的PVC透明軟管長780
24芯散尾上蓋、下蓋、前蓋、
塑膠固定頭(M3X1.5)



SHRINK TUBE(CLEAR)
透明熱縮套管 Ø10X50

NUMBER LABEL
(號碼圈A-D, 1-20) 用於Ø6的線
(1~20) 20-SVP555S-BK-3MM
(XLR MALE)

CABLE NO.: 4107010018
(3070800010-01)



DIMENSIONS ARE IN MILLIMETERS		APPROVED <i>黃美玲</i> DATE 2014-03-14
UNLESS OTHERWISE SPECIFIED TOLERANCES		CHECKED DATE 2014-03-14
ANGLES = ±5°		DRAWN 吳碧珊 DATE 2014-03-13
UP TO 6 = ±0.2		FILE NO. D:\CAD\SWC\5203010142_SWC-24X-TB-50M_CA001A1
6-40 = ±0.4		ERP LINK: 5203010142
40-120 = ±0.6		
120-315 = ±1		
ABOVE 315 = ±1.6		
THIRD_ANGLE		
SCALE	1/1.5	

SUNRISE 日昇電子股份有限公司
SUN RISE EXACT INDUSTRIAL CO.

TITLE
XLR MALE+FEMALE MULTI-CABLE & STAGE WHEEL (L=50M)

PART NO. SWC-24X-TB-50M REV. A1