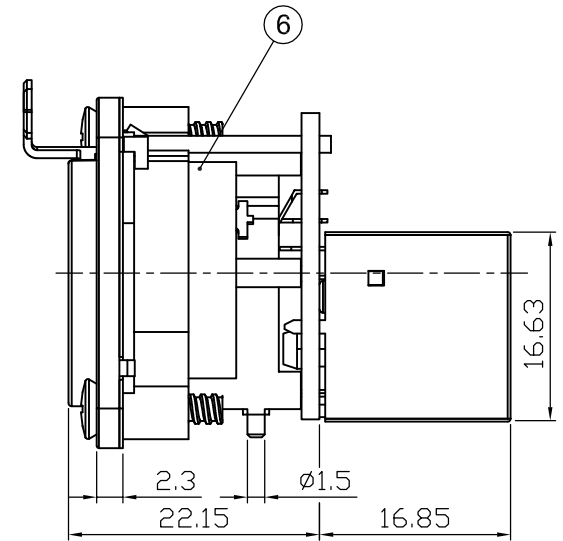
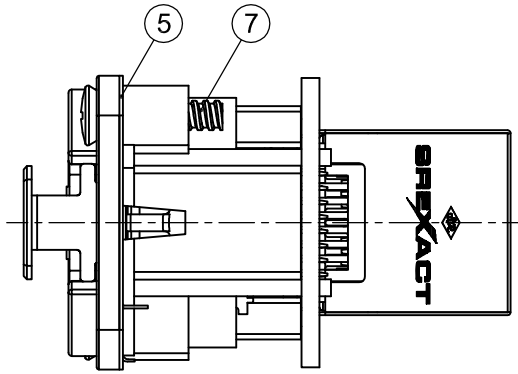
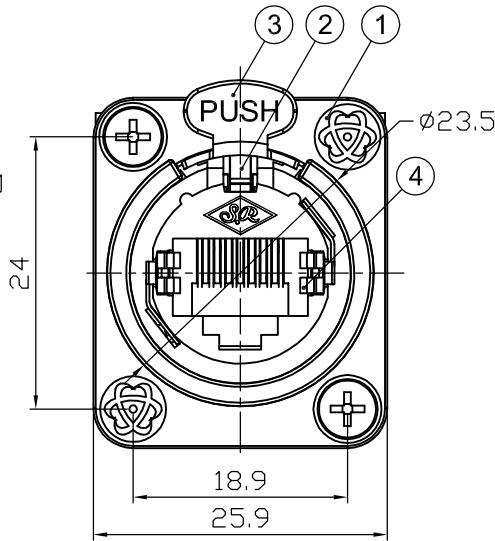
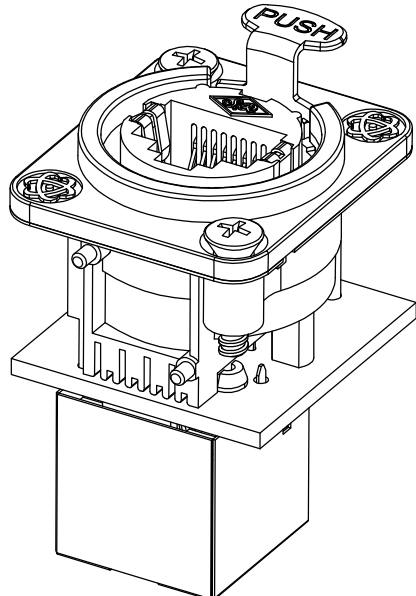
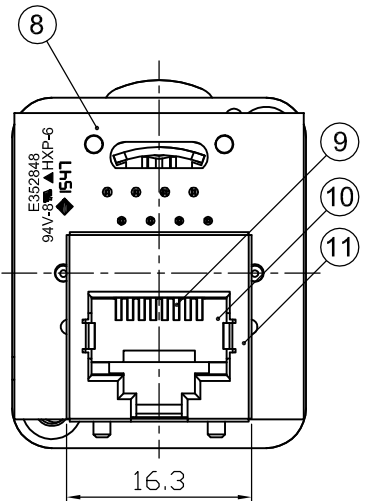


REVISIONS		
ISS	ZONE	DESCRIPTION\PER REQUEST\DATE
A3	C-3	加SR商標
V	OPEN	對客戶公開圖紙
	OPEN	對供應商公開圖紙
	CLOSED	僅限廠內使用

F
E
D
C
B
A



台灣日昇電子股份有限公司
ISSUE APPROVED
 發行核可
 本文件與簽核紙本正本相符



8P Pin Finish:
 Front: Golden plated(前端鍍金)
 Rear: Tin-plated(後端鍍錫)

11	銅殼(COPPER SHELL)	C2680	鍍鎳(Nickel)	1	1620020001
10	塑粒(INSULATOR)	PBT	黑色(Black)	1	
9	插針(8P PIN)	Phosphor Bronze		2	
8	電路板(PCB, T=1.6mm)	FR-4		1	
7	螺絲(SCREW)	SUS304	鍍鎳(Nickel)	2	
6	塑座(PLASTIC BASE)	PBT	黑色(Black)	1	
5	金屬片(METAL SHEET)	H62	鍍亮錫(Bright tin)	1	
4	接地片(GROUND)	Phosphor Bronze	鍍亮錫(Bright tin)	2	
3	按鍵(PUSH BUTTON)	SUS304	鍍鎳(Nickel)	1	
2	鋼片(LATCH)	65Mn	發黑(Blackening)	1	
1	鋅殼(DIE-CAST SHELL)	ZZnAl4-0	鍍鎳(Nickel)	1	
NO.	DESCRIPTION	MATERIAL	FINISH	Q'TY	DRAWING NO.

DIMENSIONS ARE IN MILLIMETERS		APPROVED	DATE
UNLESS OTHERWISE SPECIFIED		吳碧珊	2019-11-19
TOLERANCES		CHECKED	DATE
ANGLES = ±5°			
UP TO 6 = ±0.2			
6-40 = ±0.4			
40-120 = ±0.6			
120-315 = ±1			
ABOVE 315 = ±1.6			
THIRD_ANGLE	☉ ☒	DRAWN	DATE
		吳碧珊	2019-11-19
SCALE	1.5/1	FILE NO.	D:\CAD\SVP\511320001_ SVP594-DP_CA001A3
		ERP LINK:	5113200001

Note(備註):
 1. Package: 25pcs per clamshell packing
 (包裝方式: 25pcs為一泡殼包裝)



日昇電子股份有限公司
 SUN RISE EXACT INDUSTRIAL CO.

TITLE		ETHERNET CAT5E RJ45 CONNECTOR	
PART NO.	SVP594-DP	REV.	A3

F
E
D
C
B
A