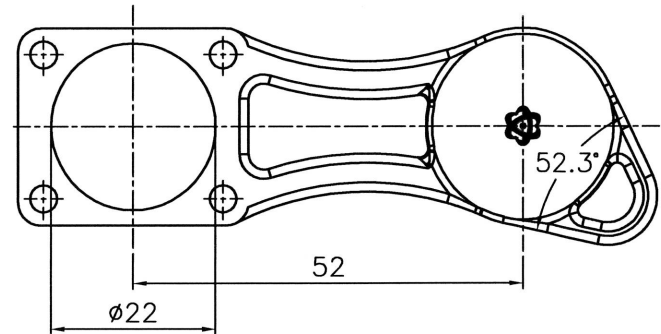
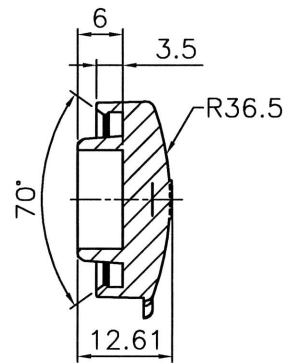
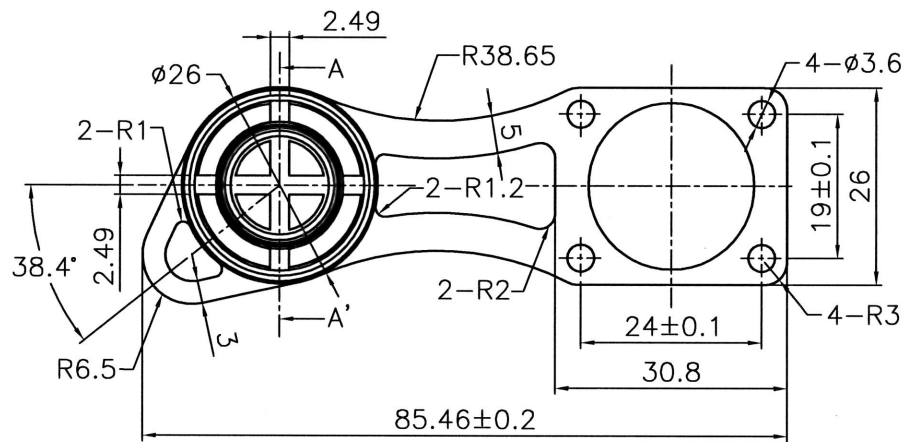
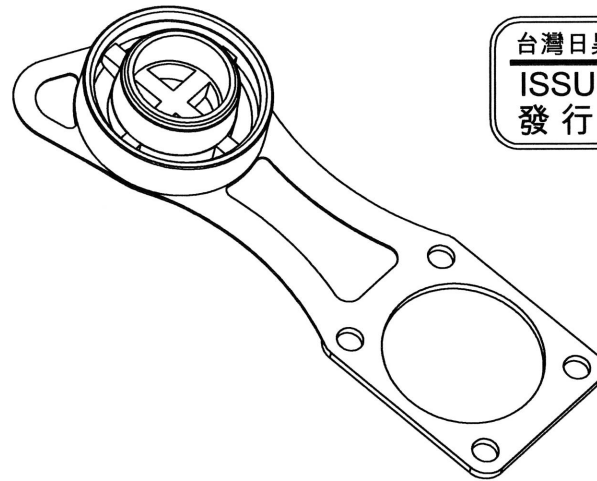
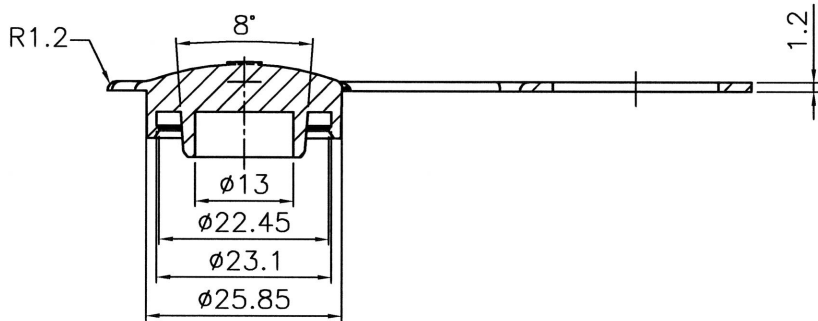


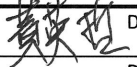

1 2 3 4 5 6 7 8

REVISIONS		
ISS	ZONE	DESCRIPTION\PER REQUEST\DATE
V	OPEN	對客戶公開圖紙
	OPEN	對供應商公開圖紙
	CLOSED	僅限廠內使用

台灣日昇電子股份有限公司
ISSUE APPROVED
 發行核可 本文件與簽核紙本正本相符



Note(備註):
 1. This dustproof cover is available for D-type XLR male socket, speaker socket and power socket.
 (此防塵蓋適用於D型XLR公插座, 音箱插座和電源插座)

MATERIAL TPR	APPROVED  DATE 2017-05-22	 日昇電子股份有限公司 SUN RISE EXACT INDUSTRIAL CO.	3rd ANGLE PROJECTION		SCALE	1/1	TOLERANCE	± 0.1
	CHECKED DATE		UNITS	mm	ANGLES	$\pm 5^\circ$		
FINISH BLACK(黑色)	DRAWN 吳碧珊 DATE 2017-05-19	ERP LINK: 4301090008	PART NO. (防塵蓋)		1CE0042 Dust cover		REV.	A1
	FILE NO. D:\CAD\其他系列\4301090006_1CE0042 Dust cover_CA001A1							

1 2 3 4 5 6 7 8

F

E

D

C

B

A

F

E

D

C

B

A