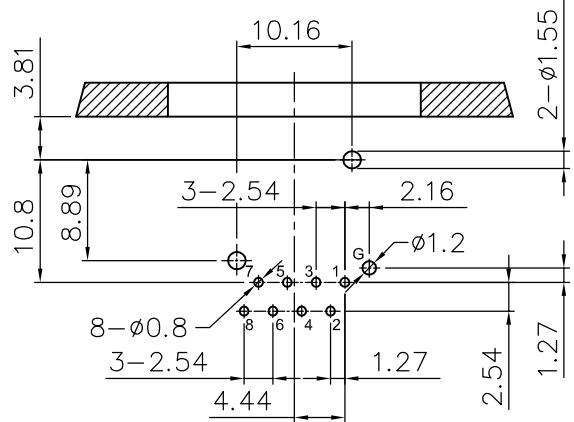


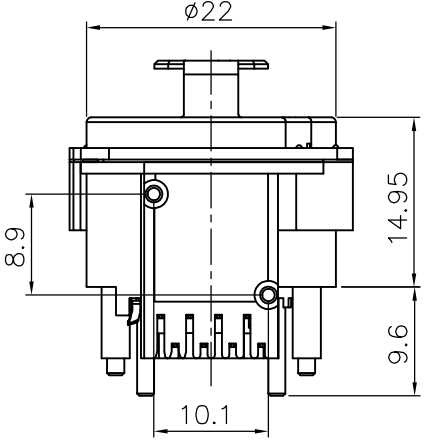
REVISIONS		
ISS	ZONE	DESCRIPTION\PER REQUEST\DATE
A6	E-6	更新SR商標,立體圖加上SR商標
V	OPEN	對客戶公開圖紙
	OPEN	對供應商公開圖紙
	CLOSED	僅限廠內使用

台灣日昇電子股份有限公司  
**ISSUE APPROVED**  
 發行核可  
本文件與簽核  
紙本正本相符

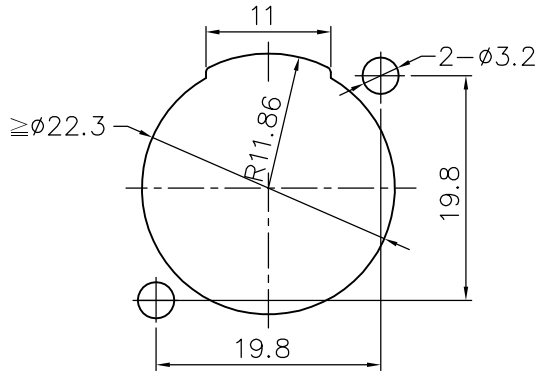


P.C.B. LAYOUT  
(印刷電路板配置)

8P Pin Finish:  
 Front: Golden plated(前端鍍金)  
 Rear: Tin-plated(後端鍍錫)




Note(備註):  
 1. Package: 25pcs per clamshell packing  
 (包裝方式: 25pcs為一泡殼包裝)



Recommended mounting hole  
 ★Different with Neutrik  
 (建議架設孔)  
 (與Neutrik不同)

NO.	DESCRIPTION	MATERIAL	FINISH	Q'TY	DRAWING NO.
7	插針(8P PIN)	Phosohor Bronze		1	1620020006
6	塑座(PLASTIC BASE)	PBT	黑色(Black)	1	
5	金屬片(METAL SHEET)	H62	鍍亮錫(Bright Tin)	1	
4	接地片(GROUND)	Phosohor Bronze	鍍亮錫(Bright Tin)	2	
3	按鍵(PUSH BUTTON)	SUS304	鍍鎳(Nickel)	1	
2	鋼片(LATCH)	65Mn	發黑(Blackening)	1	
1	鋅殼 (DIE-CAST SHELL)	ZZnAL4-0	鍍鎳(Nickel)	1	

DIMENSIONS ARE IN MILLIMETERS		APPROVED	DATE
UNLESS OTHERWISE SPECIFIED TOLERANCES		黃美玲	2019-11-19
ANGLES = ±5°		CHECKED	DATE
UP TO 6 = ±0.2		吳碧珊	2019-11-19
6-40 = ±0.4		DRAWN	DATE
40-120 = ±0.6		FILE NO.	D:\CAD\SVP\5113200006_ SVP594-BH_CA001A6
120-315 = ±1		ERP LINK:	5113200006
ABOVE 315 = ±1.6			
THIRD_ANGLE	☉ ☐		
SCALE	1.5/1		

 <b>日昇電子股份有限公司</b> SUN RISE EXACT INDUSTRIAL CO.		TITLE	
		ETHERNET CAT5E RJ45 CONNECTOR HORIZONTAL PCB	
PART NO.	SVP594-BH	REV.	A6